

Saturn[®]

ST-HC7334

HAI R DRYER



GB

HAIR DRYER

Dear Buyer!
We congratulate you on having bought the device under trade name "Saturn". We are sure that our devices will become essential and reliable assistance in your housekeeping.
Avoid extreme temperature changes. Rapid temperature change (e.g. when the unit is moved from freezing temperature to a warm room) may cause condensation inside the unit and a malfunction when it is switched on. In this case leave the unit at room temperature for at least 1.5 hours before switching it on.
If the unit has been in transit, leave it indoors for at least 1.5 hours before starting operation.

WARNING:

1. Do not use this appliance near water. Do not use the appliance with wet hands.
2. Do not use this appliance near bathtubs, showers, basins or other vessels containing water.



3. When the hairdryer is used in a bathroom, unplug it after use since the proximity of water presents a hazard even when the hairdryer is switched off.
4. For additional protection, the installation of a residual current device (RCD) having a rated residual operating current not exceeding 30mA is advisable in the electrical circuit supplying the bathroom. Ask your installer for advice.
5. If the supply cord is damaged, it must be replaced by the manufacturer or its service agent or similarly qualified person in order to avoid hazard.

IMPORTANT SAFEGUARDS

When using electrical appliances, basic safety precautions should always be followed, including the following:

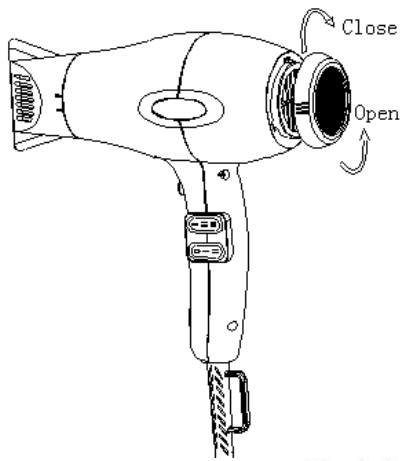
1. Never connect the dryer to incorrect voltage.

2. If the supply cord is damaged, it must be replaced by the manufacturer or its service agent or similarly qualified person in order to avoid hazard.
3. Make sure that the air outlet and the grill free when using.
4. The dryer is protected against overheating. It drops automatically when overheating and starts again after a short time of cooling. When the dryer stops automatically and you don't need to use it again, so as to safety switch off and remove the plug from the socket.
5. Do not put the air outlet too close to your hair. Please switch off the dryer for lengthy breaks in the drying process and disconnect it after use.
6. Keep the dryer out of reach of children.
7. Do not immerse the dryer in water or use in dampness.
8. This appliance can be used by children aged from 8 years and above and persons with reduced physical, sensory or mental capabilities or lack of experience and knowledge if they have been given supervision or instruction concerning use of the appliance in a safe way and understand the hazards involved. Children should not play with the appliance. Cleaning and user maintenance should not be made by children without supervision.

MAINTENANCE

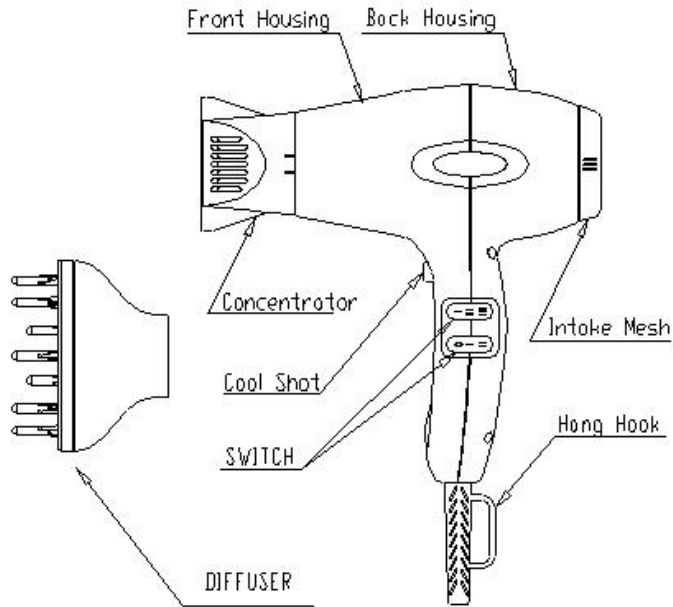
Important: Always ensure that hair dryer is disconnected from the mains supply before cleaning.
Use a damp cloth for cleaning and wipe dry. This will help preserve the original finish of your hair dryer.
Abrasive cleansers should not be used.

WARNING: Never immerse the hair dryer in water and always ensure that plug is kept dry.
After a while of use, you should take the inlet apart and clean it.
Operate method: turn the inlet anti clock-wise direction, after cleaning turn it clockwise direction and fix it upon the hair dryer. Frequently clean any hair or fluff that becomes stuck in the inlet filter.



SPECIAL FEATURE:

- 1.Unique design with complete function.
- 2.Long life motor and high quality switch.
- 3.Safety with filter and overheating protection.
- 4.Professional slim air concentrator.
- 5.Hang-up hook.



HOW TO USE YOUR HAIR DRYER

- 1.Always ensure the switch is set to OFF position before plugging the unit into the power outlet.
- 2.Use the high setting for drying hair, and use low setting for styling.
- 3.If the hair dryer stops for any reason, turn it off at once and let it cool down.
- 4.Switch control:
0=OFF Position
1=LOW: low speed
2=HIGH: high speed

- 1=LOW: low warm temperature
- 2=MIDDLE: middle hot temperature
- 3=HIGH: high hot temperature

Cool shot: Press cold function button with above operation, you will get comfortable cool wind.

- 5.The concentrator & diffuser can be used on or without.
- 6.Switch off when finish using, and then remove the plug from the socket.

7.For Ion setting the Ion function is automatically operated when the dryer using.

ION FUNCTION

- 1.Hair Protection: Keeping the hair moisten, avoiding electrostatics and making the hair easy to be dressed.
- 2.Sterilizing: generated ions together with tiny ozone kill various viruses and bacteria.
- 3.Eliminating dust and smoke: ions neutralize molecules of dust or powder in the air and protect hair.
- 4.Improving blood circulation and health.

SPECIFICATIONS

| | |
|------------------|-----------|
| Power: | 1800 W |
| Rated voltage: | 220-240 V |
| Rated frequency: | 50 Hz |
| Rated current: | 8.1 A |

SET

| | | |
|---------------------------------------|---|-----|
| HAIR DRYER | 1 | 1,5 |
| INSTRUCTION MANUAL WITH WARRANTY CARD | 1 | |
| PACKAGE | 1 | 1. |

ENVIRONMENT FRIENDLY DISPOSAL



You can help protect the environment! Please remember to respect the local regulations: hand in the non-working electrical equipment to an appropriate waste disposal center.



The manufacturer reserves the right to change the specification and design of goods.

3.

4.

5.

RU

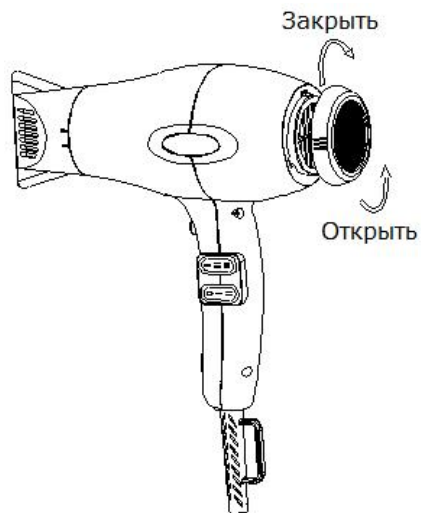
! "Saturn".

1,5

()

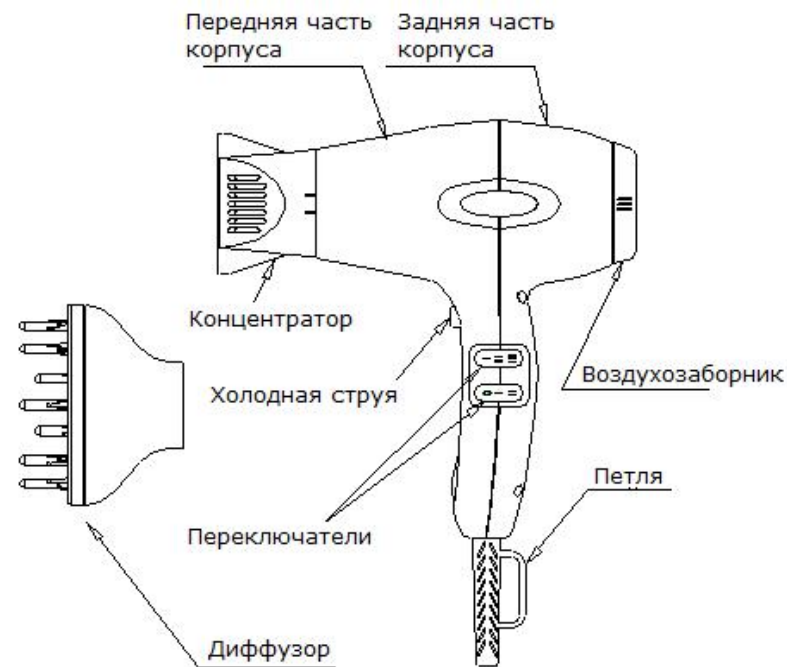
- 1.
- 2.
- 3.
- 4.
- 5.
- 6.
- 7.
- 8.

8



- 1.
- 2.
- 3.
- 4.
- 5.

6



- 1.
- 2.
- 3.
- 4.

OFF

0=OFF
1=LOW:
2=HIGH:

1=LOW:
2=MIDDLE:
3=HIGH:

- 5.
- 6.

- 7.
- 1.
- 2.
- 3.
- 4.

1800
: 220-240
50
: 8.1 A

- 1
- 1
- 1

7



4.

()

30

5.

U

1.

2.

“Saturn”.

3.

4.

()

1,5

5.

1,5

6.

7.

8.

8

1.

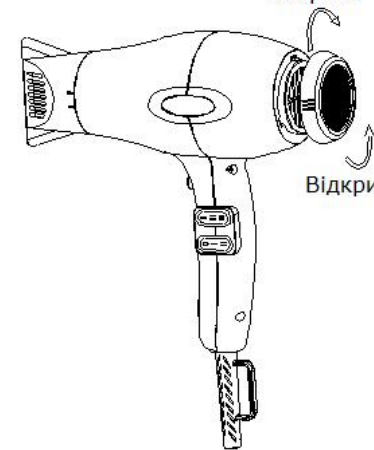
2.

3.



8

Закрити



Відкрити

Передня частина корпусу

Задня частина корпусу

Концентратор

Холодний струмінь

Перемикачі

Дифузор

Повітрязабірник

Петля

1.

2.

3.

4.

5.

1.

2.

OFF

9

3.

4.
0=OFF
1=LOW:
2=HIGH:

1=LOW:
2=MIDDLE:
3=HIGH:



5.

6.

7.

1.

2.

3.

4.

1800
220-240
50
: 8.1 A

1
1
1



Saturn®

INTERNATIONAL MANUFACTURER'S WARRANTY

MEZINÁRODNÍ ZÁRUKA

INTERNATIONAL MANUFACTURER'S WARRANTY

The Warranty is provided for the period of 2 years or more if the Law on User Right of the country where the appliance was bought provides for a greater minimum warranty period.

All terms of warranty comply with to the Law on Protection of the Consumer Rights and are governed by the legislation of the country where the product was bought. The warranty and free of charge repair are provided in any country where the product is delivered to by Saturn Home Appliances or authorized representative thereof, and where no restriction of import or other legal provisions interfere with rendering of warranty services and free of charge repair.

Cases uncovered by the warranty and free of charge repair:

1. Guarantee coupon is filled in improperly.
2. The product has become inoperable because of the Buyer's nonobservance of the service regulations indicated in the instruction.
3. The product was used for professional, commercial or industrial purposes (except for the models, specially intended for this purpose that is indicated in the instruction).
4. The product has external mechanical damage or damage caused by penetration of the liquid inside, dust, insects and other foreign objects.
5. The product has damages caused by non-observance of the rules of power supply from batteries, mains or accumulators.
6. The product was exposed to opening, repair or modification of design by the persons, unauthorized to repair; independent cleaning of internal mechanisms etc. was made.
7. The product has natural wear of parts with limited service life, expendables etc.
8. The product has deposits of scale inside or outside of fire-bar elements, irrespective of used water quality.
9. The product has damages caused by effect of high (low) temperatures or fire on non-heat resistant parts of the product.
10. The product has damages of accessories and nozzles which are included into the complete set of product shipment (filters, grids, bags, flasks, cups, covers, knives, sealing rings, graters, disks, plates, tubes, hoses, brushes, and also power cords, headphone cords etc.).
11. A defect was a result of inappropriate installing of the appliance by non-specialists of the supplier's authorized service center.

On the warranty service and repair, please contact the authorized service centers of "Saturn Home Appliances".

MEZINÁRODNÍ ZÁRUKA

Záruka se poskytuje na dobu 2 roky. V případě že Zákon na ochranu spotřebitele dané země nařizuje delší dobu, prodlužuje se záruka na tuto dobu.

Veškeré záruční podmínky odpovídají Zákonu o ochraně práv uživatelů a jsou řízené zákonodárstvím státu, kde byl výrobek koupen.

Záruka a bezplatná oprava se poskytují v každém státě, kam jsou výrobky dodané společností „Saturn Home Appliances“ nebo jejím zplnomocněným zástupcem a kde nejsou žádná omezení na dovoz nebo jiné právní předpisy omezující poskytnutí záručního servisu a bezplatné opravy.

Případy, na které se záruka a bezplatná oprava nevztahují

1. Záruční list je vyplněn nesprávně.
2. Výrobek byl poškozen kvůli tomu, že zákazník nesplnil pravidla použití, která jsou uvedena v návodu.
3. Výrobek byl používán k profesionálním, komerčním nebo průmyslovým účelům (kromě modelů speciálně určených pro tyto účely, což je uvedeno v návodu).
4. Výrobek má větší mechanická poškození nebo poškození, vyvolaná tím, že se dovnitř dostala tekutina, prach, hmyz a jiné cizí předměty.
5. Výrobek má poškození, která jsou vyvolaná nesplněním pravidel napájení od baterií, sítě nebo akumulátorů.
6. Výrobek rozebírali, opravovali nebo měnili jeho konstrukci lidé, kteří nebyli zplnomocněni k opravě, bylo provedeno samostatné čištění vnitřních mechanismů a pod.
7. Výrobek má prokázané opotřebení dílů s omezenou dobou použití, spotřebních materiálů atd.
8. Výrobek má vrstvu usazeniny uvnitř nebo zvenku termoelektrických ohřevů, bez ohledu na kvalitu používané vody.
9. Výrobek má poškození, která jsou vyvolána působením vysokých (nízkých) teplot nebo ohněm na termonestabilní části výrobku.
10. Výrobek má poškozené příslušenství a nástavce, které jsou dodané spolu s výrobkem (filtry, sícky, sádky, bafly, mísy, víka, nože, šlehače, struhadla, kotouče, talíře, trubky, hadice, kartáče a také síťové šňůry, sluchátkové šňůry atd.).
11. Vada je důsledkem nesprávné instalace výrobku neoprávněnou osobou.

V otázkách záručního servisu a oprav se obraťte na autorizovanou servisní středisko společnosti „Saturn Home Appliances“.

«Saturn Home Appliances»

- 1.
- 2.
- 3.
- 4.
- 5.
- 6.
- 7.
- 8.
- 9.
- 10.
- 11.

« Saturn Home

Appliances» .

: <http://saturn.ua/ru/servis>,
: 0-800 505-27-09

| | | | | | LCD | | |
|------------|--------|---|---|---|-----|---|---|
| , 4 | « C » | 8 (988) 993-37-78 | + | | + | + | + |
| , 18 | | 8 (8553) 32-22-11 8 (960) 047-22-11 | + | + | + | + | + |
| , 98 | « » - | 8 (86133) 6-09-84, 8(918) 215-57-75 | + | + | + | + | + |
| , 109 | - | 8 (86152) 2-81-99 | + | + | + | + | + |
| , 1, 1, 12 | « -29» | 8 (8182) 44-15-55 | + | | | | |
| , 47 | « » | 8 (8512) 25-19-39, 8 (8512) 25-12-00 | + | + | + | | |
| , 54 | " - " | 8 (8512) 50-19-97 | + | | + | | |
| 2, 16, 7 | « » | 8 (8512) 54-67-67, 8 (8512) 54-91-91 | | + | | + | + |
| 15 | « » | 8 (85141) 3-61-25 | + | + | + | + | + |
| , 32 | | 8 (927) 552-47-21, 8 (937) 122-13-99 | | | | + | + |
| 113 | « » | 8 (3852) 63-94-02 | + | | + | + | + |
| , 9, 25 | | 8 (905) 425-60-4-73 | + | + | + | | |
| 37 | | 8 (8635) 47-47-72 | + | + | + | + | + |
| , 63 | « » | 8 (86155) 3-11-00, 8 (918) 980-64-75 | + | + | + | + | + |
| , 18 | " - " | 8 (3535) 23-23-98, 8-922-802-21-58 | + | + | + | + | + |

| | | | | | | | |
|------------|----------|--|---|---|---|---|---|
| | | 8 (86559) 2-08-02, 8 (86559) 5-29-71 | + | + | + | + | + |
| 36 | « » - | 8 (3955) 67-00-44, 8(3955) 56-61-93 | + | + | + | + | + |
| | « » | 8(4832) 63-06-00, 8 (4832) 33-15-61 | | + | | | |
| | « » | 8 (8442) 97-50-10, 8 (960) 883-59-00 | | + | | | |
| | | 8 (8442) 98-16-47, 8 (8442) 53-06-04 | + | + | + | + | + |
| 11 | « » - | 8 (8442) 37-16-74, 8 (8442) 37-69-03 | | + | | | |
| | « » | 8 (961) 688-53-48 | | + | | | |
| | | 8 (927) 521-52-00 | | + | | + | + |
| 32 | | 8 (937) 722-68-12 | | | | + | + |
| | | 8 (937) 730-66-03 | | + | | + | + |
| | | 8 (904) 404-14-55 | | | | + | + |
| C 12/15 | «Master» | 8 (928) 126-63-66 | + | | + | | |
| | «X » | 8(8639) 27-80-47 | + | + | + | + | + |
| 77- | « » | 8 (937) 717-93-36 | + | | + | | |
| | « » | 8 (8172) 70-03-45, 8 (8172) 54-21-54 | + | | + | + | + |
| | « » | 8 (8172) 52-72-51 | + | | + | | |

| | | | | | | | |
|--------------------|--------|--|---|---|---|---|---|
| 46 | « » | 8 (473) 260-09-08, 8 (473) 240-57-73 | + | | + | + | |
| | « » | 8 (38822) 6-23-32 | + | | + | + | + |
| | « » | 8 (962) 655-20-00 | + | + | + | + | + |
| | « » | 8 (8313) 21-14-14 | + | | + | | |
| | « » | 8(8313) 20-56-00 | + | + | + | + | |
| 63 | « » | 8 (84235) 2-86-59, 8 (84235) 9-14-64 | + | | + | + | + |
| | « - » | 8 (86132) 2-11-71, 8 (86132), 3-66-02 | + | + | + | + | + |
| | « » | 8(86132)5-05-00 | + | + | | + | + |
| | « » | 8 (343) 240-26-60 | + | | + | | |
| 7 | «GOLD» | 8-919-372-28-4 | | | + | | + |
| 3 | « - » | 8(3955) 67-00-44, 8 (3955) 56-61-118 | + | | + | + | + |
| | | 8(86359) 4-32-23, 8 (86359) 4-06-42 | | | + | | |
| 47 | « » | 8 (47467) 4-12-08, 8 (47467) 4-33-17 | + | | + | | |
| 45/6 | « » - | 8 (4932) 335185, 8 (4932) 335236 | + | + | + | + | + |
| | « - » | 8 (3412) 30 79-79, 8 (3412)30-83-07 | + | | + | + | + |
| | « - » | 8 (3412) 78-76-85, 8 (3412) 78-06-64 | + | | + | + | + |
| | « - » | 8 (3412) 44-60-40, 8 (3412) 44-60-67 | | | + | | |
| (« » 7 « ») | « 26» | 8 (86545) 2-74-74 | | | + | | |

| | | | | | | | | |
|------|-----|---|---|---|---|---|---|---|
| 24 | « » | 8 (8362) 24-11-24, 8(8362) 25-55-40 | + | + | + | + | | |
| 24 | « » | 8 (3952) 42-55-76 8 (3952) 78-15-83 | + | | + | + | | |
| 56 | « » | 8 (3952) 28-74-50, 8 (3952) 76-71-75 | | + | | + | + | |
| 183 | « » | 8 (34551) 7-46-31 | | | | | | + |
| 33 | - | 8 (3439) 39-95-20, 8 (34399) 34-74-40 | + | + | + | + | + | |
| 6 | « » | 8 (84457) 9-17-43, 8 (84457) 9-45-89 | + | + | + | + | + | |
| 157 | | 8 (8734) 44-42-44 | + | + | | + | + | |
| 53/2 | - | 8 (3842) 35-39-67 | + | | | + | | |
| 17 | « » | 8 (87239) 2-33-55, 8 (87239) 3-01-77 | + | + | + | + | + | |
| 42 | « » | 8 (8332) 56-25-95, 8 (8332) 54-70-77 | + | | + | + | | |
| 9 | - | 8 (988) 548-24-36 | + | | + | | | |
| 9 | - | 8-928-172-52-26 | | + | | | | |
| 2 | | 8 (86142) 4-43-59 | + | + | + | + | + | |
| 1 | « » | 8-918-936-36-53 | | + | | + | + | |
| 3 | - | 8(861) 267-50-88 | + | + | + | + | + | |
| 55 | « » | 8 (861) 222-64-13, 8 (861) 222-85-55, 8 (905) 408-08-38 | + | + | + | + | + | |

| | | | | | | | | |
|----------|------|---|---|---|---|---|---|---|
| 106 | « » | 8 (86156) 3-40-40, 8-918-990-35-04 | + | | + | + | | |
| 42/2 | | 8 (918) 041-31-04, 8(86131) 71-2-72 | | | + | | | + |
| 116 | | 8 (86164) 7-01-22 | | | + | | | |
| 57 | « » | 8 (86145) 3-78-74 | | | + | | | + |
| 25 | « » | 8 (86164) 65-4-95, 8-918-355-81-70 | + | + | | | + | + |
| 1 | | 8 (86153) 4-16-70 | | | + | | | |
| 168 | « » | 8 (86151) 4-33-54, 8 (918) 464-00-86 | + | + | | | + | + |
| 6 | « » | 8 (3912) 92-92-22, 8 (3912) 41-78-88 | + | + | + | + | + | |
| 1 | « » | 8 (3912) 93-54-33, 8 (3912) 94-52-82 | + | + | + | + | + | |
| 36 37 | « +» | 8 (4712) 50-85-90, 8 (4712) 35-04-91 | + | + | + | + | | |
| 2 | « » | 8 (86169) 7-39-99, 8 (86169) 7-24-96 | + | + | + | + | + | |
| 66 | « » | 8 (4742) 33-45-65, 8 (4742) 33-45-95 | + | + | + | + | + | |
| 25 | « » | 8 (8772) 55-62-38 | + | + | + | + | + | |

| | | | | | | | |
|---------------|------|---|---|---|---|---|---|
| 20 | « » | 8 (8722) 93-30-73 | + | + | + | + | + |
| 11 | « » | 8 (86385) 2-33-26, 8 (960) 458-07-11 | + | + | | + | + |
| 9 | «X » | 8-909-401-35-21 | + | + | + | + | + |
| 1534 | « » | 8 (499) 717-82-07, 8 (499) 717-82-12 | + | | + | + | + |
| 3 | « » | 8 (495) 721-30-70, 8 (499) 168-05-19, 8 (499) 168-47-15 | + | | + | + | + |
| 20 (30/05) | « » | 8 (8552) 35-90-02, 8 (8522) 35-90-42 | + | + | + | + | + |
| 24 | « » | 8 (8662) 42-04-30, 8 (8662) 42-12-21 | + | | + | + | |
| 55 | « » | 8 (86554) 5-59-77, 8 (86554) 3-67-57 | + | + | + | + | + |
| 10 | « » | 8 (34783) 3-43-44 | + | + | + | + | + |
| 9 (« ») | « » | 8 (8555) 48-08-80, 8-917-906-60-06 | + | | + | + | + |
| 18 | « » | 8 (831) 46-18-848 | | + | | | + |
| 6 | | 8 (831) 46-18-848 | | + | | | + |
| 18 | « » | 8 (3843) 20-31-33 | + | | + | + | + |
| 21/27 | « » | 8 (48762) 6-46-46 | + | + | + | + | + |
| 14 | « » | 8 (8617) 6311-15, 8 (8617) 63-03-95 | + | + | + | + | + |
| 17 | « » | 8 (383) 274-99-33, 8 (383) 274-99-45 | + | | + | | |

| | | | | | | | |
|------|-----|---|---|---|---|---|---|
| 3 | « » | 8 (383) 210-59-49, 8 (383) 210-52-92 | + | | + | + | |
| 24 | | 8 (86369) 3-74-75, 8 (928) 609-35-85 | + | + | + | | |
| 4 | | 8 (3532) 36-87-94 | + | | | + | + |
| 194 | « » | 8 (3812) 36-74-01 | | | | | + |
| 130 | « » | 8 (3812) 36-42-02 | + | + | + | + | |
| 2 | « » | 8 (3537) 33-84-43, 8 (3537) 35-13-18 | + | + | + | + | + |
| 11 | « » | 8 (3537) 35-79-93 | + | + | + | + | + |
| 2 | « » | 8 (8412) 26-09-60, 8 (8412) 26-12-29 | + | | | + | + |
| 3 | « » | 8 (342) 221-40-99 | + | + | + | + | + |
| 11 | « » | 8 (342) 240-93-35, 8 (342) 240-93-24 | | + | | | |
| 11 | « » | 8 (8142) 78-06-93, 8 (8142) 70-65-48 | + | | | + | |
| 39-5 | | 8 (3846) 69-33-00 | + | + | + | + | + |
| 11 | « » | 8 (8112)-53-86-30, 8 (8112) 53-86-50 | + | | | + | |
| 12 | | 8-928-225-95-85 | | + | | + | + |
| 5-3 | « » | 8 (8793) 98-70-11 | + | + | + | + | + |
| 50 | | 8 (47396) 48-911 | + | + | + | + | + |
| 37 | « » | 8 (863) 250-47-77 | + | | | + | |
| 7 | « » | 8 (863) 227-60-90, 8 (863) 299-00-50 | + | + | + | + | + |

| | | | | | | | |
|-----------------|----------|---|---|---|---|---|---|
| 50- 1/52, 55 | « » | 8 (863) 21-92-112, 8-800-100-51-52 | + | + | + | + | + |
| 17, 11 / | | 8 (906) 453-35-81 | + | | + | | |
| 12 | « - » | 8 (4855) 22-04-77, 8 (4855) 25-38-60 | + | + | + | + | + |
| 14 | « » | 8 (86370) 2-19-50 | + | + | + | + | + |
| 12 | « » | 8 (4855) 22-04-77, 8 (4855) 25-38-60 | + | + | + | + | + |
| 21 | « » | 8 (4855) 24-31-21 | + | + | + | + | + |
| 14, 1 | « - » | 8 (4912) 76-88-01, 8 (4912) 40-30-30 | + | + | + | + | + |
| 42 | « - » | 8 (4912) 41-33-02 | + | + | + | + | + |
| 100/ 56 | « - » | 8 (846) 990-37-51, 8 (846) 240-98-17 | + | | + | + | + |
| e 197 | « XXI» - | 8 (812) 600-11-97 | + | + | + | + | |
| e 41, | « - » | 8 (812) 325-36-56, 8 (812) 325-36-57 | + | | + | + | |
| e 11, 36 | 95» « - | 8 (812) 822-18-00, 8 (812) 320-06-61 | + | | | | |
| 1 | « - » | 8 (8342) 23-05-91, 8 (8342) 47-48-59 | + | + | + | | |
| 95 | « - » | 8 (8452) 52-81-21, 8 (8452) 52-83-84 | + | + | + | + | + |
| 167/1 | | 8 (951)-522-38-11 | + | + | + | + | + |

| | | | | | | | |
|--------|-----------|---|---|---|---|---|---|
| 253 | « » | 8 (496) 547-04-95, 8 (496) 549-32-79 | + | + | | + | + |
| 7 | " -S" | 8-963-624-49-46 | | | | + | + |
| 44 | « » | 8 (4812) 45-05-13, 8-920-333-09-44 | + | + | + | + | + |
| 90 | « » | 8 (8622) 55-51-19, 8 (8622) 55-01-08 | + | | | + | + |
| 63 | « » | 8 (8652) 24-30-14, 8 (8652) 23-31-81 | + | + | + | + | + |
| 15, 21 | « » | 8 (8652) 95-53-68, 8 (8652) 95-61-90 | | | | + | |
| 1 | « - » | 8 (4725) 24-62-27, 8 (4725) 24-73-49 | + | + | + | | |
| 158 | « - » | 8 (3473) 20-12-13, 8 (3473) 20-27-70 | + | | | + | + |
| 25 | « » | 8 (8212) 22-95-29, 8 (8212) 29-12-20 | + | + | + | + | + |
| 137 | 2000» « - | 8 (4752) 56-19-42, 8 (4752) 56-19-44 | + | + | + | + | + |
| 24/2 | | 8 (86130) 4-86-59, 8-(918) 147-02-03 | + | + | | + | + |
| 2/2 | « - » | 8 (86196) 7-20-53 | + | + | + | + | + |
| 48 | « +» | 8 (8482) 22-72-41, 8 (8482) 22-71-85, 8 (8482) 61-65-64 | + | + | + | + | + |
| 58 | « -2» | 8 (3822) 56-23-35, 8 (3822) 48-08-80 | + | | | + | |

| | | | | | | | |
|------------------|---------|---|---|---|---|---|---|
| 137 | « - » | 8 (4872) 31-12-57 | + | + | + | + | + |
| 55 | « » | 8 (3452) 47-35-69 | + | | + | + | + |
| 28 | « » | 8 (3012) 21-89-63 | + | | + | + | + |
| 16/7 | « - » | 8 (8422) 73-44-22, 8 (8422) 73-29-19 | + | + | | + | + |
| 378 | « - » | 8 (87875) 7-44-82 | + | + | + | + | + |
| 6/1 | « - » | 8 (347) 236-57-07 | + | | + | | |
| 148 | « » - | 8 (3472) 77-12-62 | + | | + | | |
| 153, 42, 7 | « » | 8 (347) 279-90-70, 8 (347) 241-62-02 | | | | | + |
| 15 | « - » | 8 (86391) 2-18-06 | + | | + | | |
| 36 | « » | 8 (8352) 62-30-97, 8 (4942) 63-20-98 | + | | + | | |
| 8 | - | 8 (351) 239-39-34, 8 (351) 239-39-35 | + | + | + | + | + |
| 18 | « » | 8 (8202) 54-31-88 | + | | + | + | + |
| 340 « » | « - » | 8 (8782) 27-30-60, 8 (8782) 27-70-77 | + | + | + | + | + |
| 48, 11 | « . . » | 8 (8782) 25-04-66, 8 (8782) 25-19-15 | + | + | + | + | + |
| 33 | « » - | 8 (3022) 36-39-36, 8 (3022) 36-39-32 | + | + | + | + | + |
| 1 | | 8 (904)-345-83-18 | + | + | + | + | + |

| | | | | | | | |
|----------|-------|---|---|---|---|---|---|
| 3- 21 | « » | 8 (84722) 9-52-07, 8 (937) 469-52-07 | + | + | + | + | + |
| 57 | « - » | 8 (8453) 55-80-89, 8 (964) 848-45-06 | + | | + | + | + |
| 12 | « - » | 8 (4852) 25-94-83 | + | | + | | |

«Saturn Home Appliances»

- 1.
- 2.
- 3.
- 4.
- 5.
- 6.
- 7.
- 8.
- 9.
- 10.
- 11.

« Saturn Home Appliances» .

: <http://saturn.ua>,
0-800 502-502

| | , 36 | (06442)-91137, 0990521001 | Hi-Fi () | + | + | + | + | + | - | + |
|-------|--------------|--|--------------|---|---|---|---|---|---|---|
| | , 42 | (06274)-49128, 0627449129 | - | + | + | + | + | + | - | + |
| 50-82 | | (04563)-68413 | - | + | + | + | + | + | - | + |
| 28 | | (0456)-333295, (0456)-309400, 094-9299400 | - | - | + | + | + | + | - | - |
| | , 57 | (04143)-40636 | " " | + | + | + | - | + | + | + |
| | 43 | (03141)-43432 | " " | + | + | + | + | - | - | - |
| | , 50 , 51 | (0432)-699573 | | + | + | + | + | + | + | + |
| | , 3 | (0432)-642457, (0432)-642622 | | - | + | + | - | - | - | - |
| | , 1 | (0432)-509191, (0432)-579191, 066-3509191 096-0509191 | - | + | + | + | + | + | - | + |
| | , 16 | (0432)-464393, (0432)-468213, (0432)-519254 | - | + | + | + | + | + | + | + |
| | , 43 | 067-7899525 | - | + | + | + | - | - | - | - |
| | , 62- | (05653)-52771 | | + | + | + | + | + | + | + |
| | , 59 | (0562)-350409, (0562)-346705 | | + | + | + | + | + | - | + |
| 6 | | (056)-7356328, (056)-7356325 | - | + | + | + | + | + | - | + |

| | | | | | | | | | |
|------|--|-------------|---|---|---|---|---|---|---|
| 46- | (056)-7854002, 067-5071964 | - | - | + | + | + | + | + | - |
| 41- | (056)-7900460 | - | + | + | + | + | + | - | + |
| 129- | 066-2493639 | - | + | + | + | - | - | - | + |
| 1 | 066-5082652, 096-7232447 | - | + | + | + | + | + | + | + |
| 188 | (062)-3450607 | - | + | + | + | + | + | - | + |
| 24 | (0412)-470742 | C () | - | - | + | + | + | - | - |
| 8 | (0412)-471568, 067-4115812 | (") | + | + | + | - | - | - | + |
| 175 | (061)-7875051, (0612)-639790 | | + | + | + | + | + | + | + |
| 83 | (0612)-120303 | - | + | + | + | + | - | - | + |
| 50 | (061)-2209764, (061)-2209765 | - - | + | + | + | + | + | - | + |
| 223 | (0342)-756040, (0342)-712813 | | + | + | + | + | + | - | - |
| 19- | (0342)-559525, (0342)-750777 | | + | + | + | + | - | - | - |
| 2 | 067-3248218 | " " | + | + | + | + | + | + | + |
| 76 | (04597)-57393 | " " | + | + | + | - | - | - | - |
| 161 | 067-3248401, 067-3248365, (04736)-62949 | « - » | + | + | + | + | + | + | + |
| 16 | (044)-4269198, (044)-3629198 | " " | + | + | - | - | - | - | + |
| 55 | (044)-3641463, (044)-4086660, (044)-4972936, | - - | - | + | + | + | + | + | - |

| | | | | | | | | | |
|------|---|-------------|---|---|---|---|---|---|---|
| | (044)-4973455, (044)-4973619, (044)-4086658, (044)-4086659 | | | | | | | | |
| 1- | (044)-5911190 | " " | + | + | + | + | + | + | + |
| 15 | (06561)-62102, 096-3852181 | | + | + | + | - | - | - | + |
| 2 | (0522)-357923, (0522)-278002, (0522)-273300 | | + | + | + | + | + | - | + |
| 1- | (0522)-272840, (0522)-277667 | (-) | + | + | + | + | + | + | + |
| 13 | 097-7766770 097-2642167 | | + | + | + | + | + | + | + |
| 10 | (06272)-26223, (06272)-22186, 050-2796816 | () | + | + | + | - | - | - | - |
| 2- | (04142)-50504 | " " | - | + | + | + | + | + | + |
| 7 | 050-5260668 | - | + | + | + | + | + | + | + |
| 3 | (06264)-59389 | | + | + | + | + | - | + | - |
| 8 | 050-9732014 | - | + | + | + | + | + | - | + |
| 5- | (0626)-412134, 067-2557990 | | + | + | + | + | + | + | + |
| 44, | (05366)-39192 | | + | + | + | + | + | + | + |
| 2 | (056)-4013356, (056)-4040080, (056)-4746103 | " - " | + | + | + | - | + | + | - |
| 73 | (056)-4400764 | " " | + | + | + | + | + | - | + |
| 64/7 | (056)-4400779 | | + | + | + | + | + | - | + |

| | | | | | | | | | |
|--------------|---|----------|---|---|---|---|---|---|---|
| | (056)-4092302, (056)-4092303 | (-) | + | + | + | + | + | + | + |
| | 050-2149173, 066-017-02-03 | | + | + | + | + | + | + | + |
| 96- | (0642)-330242, (0642)-331186, 095-3868985 | " " | + | + | + | + | + | + | + |
| 49- | (0642)-505783, 095-3624248 | | + | + | + | + | + | + | + |
| | 066-0640564, 050-5809230 | | - | - | - | + | - | - | - |
| | (06434)-26025, 099-2710147 | - | + | + | + | + | + | + | + |
| | (0332)-290752 | " - " | + | + | + | - | - | - | + |
| | (0332)-779955, 097-0482596 | - | + | + | + | + | + | + | + |
| 15- | (032)-2445340, (032)-2445344 | | + | + | + | + | + | + | + |
| | (032)-2471499 | - | + | + | + | - | - | + | + |
| 28 | (032)-2395152, (032)-2395577, (032)-2955028, (032)-2955029 | " - " | + | + | + | + | + | + | + |
| 116 | (032)-2458052 | " - " | + | + | + | - | - | + | + |
| | (0623)-225550, 066-1032288, 097-7768120 | | + | + | + | - | - | - | - |
| 50- 32\18 | (0629)-496005, (0629)-493006 | | + | + | + | + | + | - | + |
| 227 | (0629)-473000, 098- 3122628, | " - " | + | + | + | + | + | - | + |

| | | | | | | | | | |
|-----|---|---------------|---|---|---|---|---|---|---|
| | 095-0282628 (0629)-491881, 067-5975615 | (-) | | | | | | | |
| 84 | (0619)-444400 | (-) | - | + | + | + | + | + | + |
| | (04337)-64847, (0432)-468213 | - | + | + | + | + | + | + | + |
| 51- | (03131)-37337, (03131)-37336, 099-7974430, 097-3423551 | | + | + | + | - | + | + | - |
| | (0512)-470496, (0512)-478348 | " " | + | + | + | + | + | + | + |
| | (0512)-580647 | | + | + | + | + | + | + | - |
| | (0512)-582180, 067- 5170570, 066-7056444 | " " | - | + | + | + | + | + | - |
| | (05662)-41503, 099-0743553 | " - - " | + | + | + | + | + | + | + |
| 2 | (0566)-688563, 050-5800296 | () | + | + | + | + | + | + | + |
| | (0566)-687014 | - | - | + | + | + | + | + | + |
| | 095-7247266 | | + | + | + | + | + | + | - |
| | (04141)-52010 | " " | + | + | + | + | + | - | + |
| | (048)-7001737 (048)-7874579 | | + | + | + | + | + | + | + |
| | (0482)-390618, 094-8390619 | | + | + | + | + | + | - | + |
| 55 | | | | | | | | | |

| | | | | | | | | | | |
|---------|---|---|---|---|---|---|---|---|---|---|
| , 27 | (048)-7229779 (048)-7712538, (048)-7227066 | - | - | + | + | + | + | + | + | + |
| 2 (66) | (048)-7317703, (048)-7317704 | | | + | + | + | - | - | - | + |
| 172- | (05632)-61554, (05632)-62342 | | | + | + | + | + | + | - | + |
| 75 | 096-2840836, 066-0857539 | - | - | + | + | + | + | + | + | + |
| , 29 | (0532)-694262, 099-601424 | | | + | + | + | + | + | + | + |
| , 120 | (0532)-509889, 050-0137217 | | | + | + | + | + | + | - | + |
| , 66 | (0532)-615621 | - | - | + | + | + | + | + | + | + |
| , 64 | 099-4243675 | - | - | + | + | + | + | + | + | + |
| , 101/1 | (04637)-38595, 095-8862199, 063-5974127, 067-2725751 | - | - | | + | + | + | + | + | + |
| , 12 | (0362)-266585 | - | - | + | + | + | + | + | - | + |
| , 55 | (0362)-436452, (0362)-635489, 067-2385635 | - | - | + | + | + | + | + | + | + |
| , 12 | 097-7804458 | - | - | + | + | + | + | + | - | + |
| , 5 | (0362) 433340, 067-3604242 | | | + | + | + | + | + | + | + |
| , 14 | (06563)-22183, 050-9045717 | - | - | + | + | + | + | + | + | + |
| | (06434)-26025, 099- | - | - | + | + | + | + | + | + | + |

| | | | | | | | | | | |
|----------------|-----------------------------------|---|---|---|---|---|---|---|---|---|
| , 1 | 2710147 | - | - | | | | | | | |
| 26- | (0692)-555643 (0692)-453699 | | | + | + | + | + | + | + | + |
| , 24 | (06452)-50533, 050-6037272 | - | - | + | + | + | + | + | + | + |
| 17/1 | (0652)-522771, (0652)-544573 | " | " | + | + | + | + | + | - | + |
| , 72 | (0652)-690778 | - | - | + | + | + | + | + | + | + |
| , 32 | (04733)-46182 | - | - | + | + | + | + | + | + | + |
| , 1 | (06444)-40289, 066-1053966 | - | - | + | + | + | + | + | - | + |
| 171- \10 | (03245)-58381 | - | - | + | + | + | - | - | - | - |
| 19 | 096-3400696 | | | + | + | + | + | + | + | + |
| , 2 | 067-3576378, 050-5124887 | " | " | + | + | + | + | + | + | + |
| 1/24 | (04744)-46614, (04744)-46134 | " | " | + | + | + | - | - | - | - |
| 3/2 | (0312)-654266, 099-5575307 | - | - | + | + | + | + | + | + | + |
| , 3 | (057)-73497 24, (057)-7125181 | | | + | + | + | + | - | + | - |
| , 12 | (057)- 71713 39, (057)-7021620 | - | - | + | + | + | + | + | + | + |
| , 18 (42) | 096-5953746 | " | " | + | + | + | - | - | + | + |
| , 25 | (057)-7513432, (057)-7643383, | - | - | - | - | - | + | + | - | - |

| | | | | | | | | | |
|-------------|---|----------|---|---|---|---|---|---|---|
| | 067-5757009 | | | | | | | | |
| , 35 | (0552)-420235 | - | - | - | - | + | - | - | - |
| , 28- | (0552)-434040, 050-4946043 | | + | + | + | + | + | + | + |
| , 23 | (0552)-296042 | | + | + | + | + | + | + | + |
| , 7 | (0382)-664501, .0630750889 | - | + | + | + | - | - | + | + |
| , 2 | (0382)-704700, (0382)-704707, (03822)-664616 | - | + | + | + | + | + | - | - |
| , 18 | (0382)-783773, (0382)-783755 | | + | + | + | + | + | + | + |
| 102 146, | (0472)-563478, (0472)-500354, (0472)-564216, 096-5056363 | " - " | + | + | + | + | + | + | + |
| , 71 | (0472)-314657, (0472)-565621 | " - " | + | + | + | - | - | - | + |
| . 77- ,1 | (0462)-601585 | " " | + | + | + | + | + | - | - |
| , 265- | (0372)-584301, (0372)-584249 | " - " | + | + | + | + | + | - | + |
| , 101 | (0372)-571204, 066-6604161 | - | + | + | + | + | + | + | + |
| , 105 | (0372)-554869, 050-4345529 | | + | + | + | - | + | + | + |
| , 3 | (03840)-40017, 067-3601632 | | + | + | + | + | + | + | + |
| , 3 | (0654)-343051, (0654)-343160, 095-7307151 | " - " | + | + | + | + | + | - | + |

WARRANTY COUPON

GB

When purchasing the product,
please require its checking before you;
BE SURE

that the goods sold to you, are functional and complete
and that the warranty coupon is filled in correctly.

This warranty coupon confirms the absence of any defects in the product you purchased and provides for free of charge repair of the product failed through the fault of the manufacturer throughout the period of warranty service and free of charge repair.

Failing the presentation of this coupon, in case of its improper filling in, infringement of factory seals (if any), and also in cases indicated in the warranty obligations, the claims are not accepted, and no warranty service and free of charge repair is made! The warranty coupon is valid only in the original copy with the stamp of trading organization, signature of the seller, date of sale and signature of the buyer. Complex home appliances should be installed by supplier's authorized service centers, authorized specialists. In the case of a malfunction of the home appliance because of incorrect installation, the buyer must pay the cost of the visit (call) of the specialist, as well as the cost of fault diagnostics if necessary.

CZ

ZÁRU NÍ LIST

P i koupi výrobku
žádejte o jeho vyzkoušení ve Vaší přítomnosti,
P ESVD TE SE,

že Vám prodaný výrobek je dobře fungující a kompletní
a že záruční list je vyplněn správně.

Tento záruční list potvrzuje, že na Vámi koupeném výrobku nejsou žádné vady a zajišťuje bezplatnou opravu nefungujícího přístroje z viny výrobce, během celé záruční doby.

Bez předložení tohoto listu, při jeho nesprávném vyplnění, porušení plomb výrobce (jsou-li na výrobku) a také v případech, které jsou uvedené v záručním listě, nároky se nepřijímají a záruční oprava se neprovádí!

Záruční list je platný jenom jako originál s razítkem obchodní organizace, podpisem prodávajícího, termínem prodeje a podpisem zákazníka.

Instalace komplexní spotřebiče musí být provedena autorizovaným servisním střediskem, specialistou. V případě poruchy v důsledku nesprávné instalace výrobku, kupující je povinen uhradit náklady na výjezd (volání) odborný, pokud je to nezbytné, a náklady na diagnostiku poruch.

RU

Saturn®

WARRANTY COUPON

ZÁRU NÍ LIST

SATURN HOME APPLIANCES S.R.O. KON VOVA 141, 13083
PRAHA 3 – ŽIŽKOV, ČESKÁ REPUBLIKA, TEL: + 4202/ 67 108 392

Model/

Serial number/Sériové číslo/ /

Date of sell/Termín prodeje/ /

Shop stamp/Razítko obchodu/ /

Seller's signature/Podpis prodávatele/ /

Buyer's Signature confirming the acquaintance and consent with terms of free of charge maintenance service of the product, and absence of the complaints on appearance and color of the product.

Podpis zákazníka, potvrzující seznámení a souhlas s podmínkami Bezplatného záručního servisu výrobku, a také neexistence nároků na vzhled a barvu výrobku.

UA

NOTES ABOUT THE INSTALLATION OF THE DEVICE*

| | | | |
|-------------------|--------------------------------------|----------|--|
| Installation date | Name of organization, Service Center | Order No | Master's surname, name, patronymic and signature |
| | | | Client's surname, name, patronymic and signature** |
| | | | |

* Household appliances for commissioning of which installation and mounting works are required should be commissioning by the supplier's authorized service center specialists. In the case of a malfunction of the product because of incorrect installation, the product may become invalid for warranty service, and the buyer must pay the cost of the visit (call) of the specialist, as well as the cost of fault diagnostics if necessary.

NOTES ABOUT CARRYING OUT OF SERVICE MAINTENANCE

| Date of receipt for repair | Client's declared problem | Order No | Name of organization, SC | List of performed work | List of installed spare parts | The repair end date | Master's surname, name, patronymic and signature |
|----------------------------|---------------------------|----------|--------------------------|------------------------|-------------------------------|---------------------|--|
| | | | | | | | Client's surname, name, patronymic and signature** |
| | | | | | | | |
| | | | | | | | |
| | | | | | | | |
| | | | | | | | |
| | | | | | | | |
| | | | | | | | |
| | | | | | | | |

** Client's signature certifies about the appliance's receipt at the working condition.

| Saturn | | Saturn | | Saturn | |
|--|--|--|--|--|--|
| Model/ / | Model/ / | Model/ / | Model/ / | Model/ / | Model/ / |
| Date of sale/ / | Date of sale/ / | Date of sale/ / | Date of sale/ / | Date of sale/ / | Date of sale/ / |
| Serial number/ / | Serial number/ / | Serial number/ / | Serial number/ / | Serial number/ / | Serial number/ / |
| Name of the Trade company and Stamp/ / | Name of the Trade company and Stamp/ / | Name of the Trade company and Stamp/ / | Name of the Trade company and Stamp/ / | Name of the Trade company and Stamp/ / | Name of the Trade company and Stamp/ / |
| ... / Stamp | ... / Stamp | ... / Stamp | ... / Stamp | ... / Stamp | ... / Stamp |
| Customer's address, phone#, name, surname/ / , , , | Customer's address, phone#, name, surname/ / , , , | Customer's address, phone#, name, surname/ / , , , | Customer's address, phone#, name, surname/ / , , , | Customer's address, phone#, name, surname/ / , , , | Customer's address, phone#, name, surname/ / , , , |
| Date of Receiving/ / | Date of Receiving/ / | Date of Receiving/ / | Date of Receiving/ / | Date of Receiving/ / | Date of Receiving/ / |
| Date of Return/ / | Date of Return/ / | Date of Return/ / | Date of Return/ / | Date of Return/ / | Date of Return/ / |
| Defect / / | Defect / / | Defect / / | Defect / / | Defect / / | Defect / / |
| Stamp of the Service Center, signature/ / , , | Stamp of the Service Center, signature/ / , , | Stamp of the Service Center, signature/ / , , | Stamp of the Service Center, signature/ / , , | Stamp of the Service Center, signature/ / , , | Stamp of the Service Center, signature/ / , , |
| ... / Stamp | ... / Stamp | ... / Stamp | ... / Stamp | ... / Stamp | ... / Stamp |
| COUPON 1 | COUPON 2 | COUPON 3 | | | |

