

# **Saturn<sup>®</sup>**

**ST-FP8521**

**ICE CREAM MAKER**



**GB**  
ICE CREAM MAKER

Dear Buyer!  
We congratulate you on having bought the device under trade name "Saturn". We are sure that our devices will become faithful and reliable assistance in your housekeeping.  
Avoid extreme temperature changes. Rapid temperature change (e.g. when the unit is moved from freezing temperature to a warm room) may cause condensation inside the unit and a malfunction when it is switched on. In this case leave the unit at room temperature for at least 1.5 hours before switching it on. If the unit has been in transit, leave it indoors for at least 1.5 hours before starting operation.

**IMPORTANT SAFEGUARDS**  
When using electrical appliances, basic safety precautions should always be followed including the following:

1. Read all instructions before using.
2. To protect against fire, electric shock and personal injury, do not immerse appliance, its cord or plug, in water or other liquid.
3. Close supervision is necessary when any appliance is used by or near children.
4. Unplug from outlet when not in use, before putting on or taking off parts, and before cleaning.
5. Avoid contact with moving parts. Keep hands, hair, clothing, as well as spatulas and other utensils away during operation to reduce the risk of injury to persons and/or damage to the appliance.
6. Do not operate any appliance with a damaged cord or plug, or after appliance malfunctions or is dropped or damaged in any manner, return appliance (see warranty) for examination, repair or electrical or mechanical adjustment.
7. The use of attachments not recommended by the appliance manufacturer may result in fire, electric shock or personal injury.
8. Do not use outdoors.
9. Do not let cord hang over edge of table or counter, or touch hot surfaces, including the

- stove.
10. To disconnect, unplug from wall outlet.
11. Do not operate unit empty, always have ice cream mixture in the canister when you plug in the unit.
12. The freezer canister should be thoroughly towel-dried after use and washing.
13. Keep hands and utensils out of freezer canister while use to reduce the risk of injury to persons and damage to the appliance. **DO NOT USE SHARP OBJECTS OR UTENSILS INSIDE THE FREEZER CANISTER!** Sharp objects will scratch and damage the inside of the Freezer Canister. A rubber spatula or wooden spoon may be used, when the appliance is in the "OFF" position.
14. Be sure that the voltage indicated on the name plate matches with your home's voltage.
15. During operation keep your hands and the cord away from hot parts of the appliance.
16. Never clean with scouring powders or hard implements.
17. Do not place or use the appliance on hot surfaces, such as stoves, hotplates, or near open gas flames.
18. Do not expose the Freezer Canister to temperatures above 105°F/41°C. Do not clean Freezer Canister in dishwasher.
19. Do not place any part of the Unit in the dishwasher.
20. If the supply cord is damaged, it must be replaced by manufacturer, its service agent or similar qualified persons in order to avoid a hazard.
21. Service life – 2 years

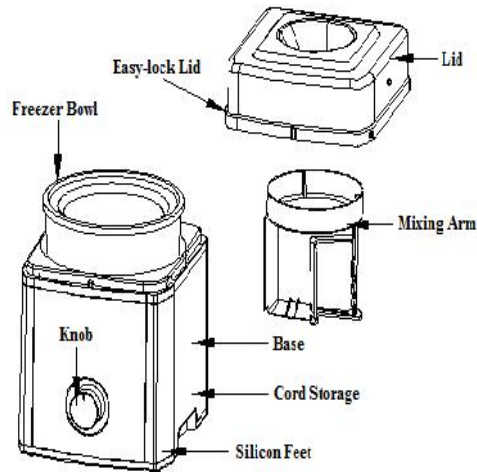
**CAUTION**  
This appliance is for **HOUSEHOLD USE ONLY**. Any servicing other than cleaning and user maintenance should be performed by an authorized service representative.

Do not immerse base in water.  
To reduce the risk of fire or electric shock, do not disassemble the base.  
Note: the base does not contain any user-serviceable parts.  
Repairs should be made only by authorized personnel.  
Check voltage to be sure that the voltage indicated on the name plate agrees with your voltage.

Never clean with scouring powders or hard implements.

#### FEATURES AND BENEFITS

- 1. Ingredient Spout**  
Pour recipe ingredients through the spout. Also use to add ingredients, like chips or nuts, without interrupting the freezing cycle.
- 2. Easy-lock Lid**  
Transparent to let you watch the freezing process as it progresses. Lid is designed to easily lock to the base.
- 3. Mixing Arm**  
Mixes and aerates ingredients in freezer bowl to create frozen dessert or drink.
- 4. Freezer Bowl**  
Contains cooling liquid within a double insulated wall to create fast and even freezing. Double wall keeps the bowl cool and at an even temperature.
- 5. Base**  
Contains heavy-duty motor strong enough to handle ice cream, sherbet, sorbet, and frozen drinks.
- 6. On/Off Knob**
- 7. Silicon Feet (not shown)**  
Nonslip feet keep base stationary during use.
- 8. Cord Storage**  
Unused cord is easily pushed into the base to keep counters neat and safe.



**BEFORE USING FOR THE FIRST TIME**  
DO NOT immerse the motor base in water. Wipe it with a moist cloth. Wash the lid, freezer bowl and mixing arm in warm soapy water to remove any dust or residue from the manufacturing and shipping process. DO NOT clean any of

the parts with abrasive cleaners or hard implements.

#### FREEZING TIME AND BOWL PREPARATION

The freezer bowl must be completely frozen before you begin your recipe. The length of time needed to reach the frozen state depends on how cold your freezer is. In general, freezing time is between 6 hours and 22 hours. To determine whether the bowl is completely frozen, shake it. If you do not hear liquid moving, the cooling liquid is frozen. Before freezing, wash and dry the bowl. Wrap it in a plastic bag to prevent freezer burn. We recommend that you place the freezer bowl in the back of your freezer where it is coldest.

FREEZER TEMPERATURE	APPROX. MIN. FREEZING TIME
-30°C	8-9 hours
-25°C	12-13 hours
-18°C	20-22 hours
-15°C	24 hours or more

#### MAKING FROZEN DESSERTS OR DRINKS

- Use recipes from the pages that follow, or use your own recipe, making sure it yields 2 quarts or less. Do not fill the freezer bowl higher than 1/2" from the top. The ingredients will increase in volume during the freezing process. For best results, prepare ingredients in a container from which it is easy to pour.
  - Remove the freezer bowl from the freezer (Remove plastic bag, if you have wrapped freezer bowl). Place freezer bowl on the center of the base.
- Note: Bowl will begin to defrost quickly once it has been removed from freezer. Use it immediately after removing from freezer.
- Place mixing arm in freezer bowl. Arm does not fit tightly. It just rests in the center of the bowl, with the circle side facing up.
  - Place lid on base. Easy-lock lid mechanism allows lid to rest on base in multiple positions (see diagram).



- Turn the On/Off switch to ON position. Freezer bowl will begin to turn.
- Immediately pour ingredients through ingredient spout.

Frozen desserts or drinks will be done in 25-35 minutes. The time will depend on the recipe and volume of the dessert or drink you are making. When the mixture has thickened to your liking, it is done. If you desire a firmer consistency, transfer the dessert or drink to an airtight container and store in the freezer for two or more hours.

Note: Do not store frozen desserts or drinks in the freezer bowl. Desserts and drinks will stick to the side of the freezer bowl and may damage the bowl. Store only in a plastic air-tight container.

#### ADDING INGREDIENTS

Ingredients such as chips and nuts should be added about 5 minutes before the recipe is complete. Once the dessert or drink has begun to thicken, add the ingredients through the ingredient spout. Nuts and other ingredients should be no larger than a chocolate chip.

#### SAFETY FEATURE

The Ice Cream & Sorbet Maker is equipped with a safety feature that automatically stops the unit if the motor overheats. This may occur if the dessert or time, or if added ingredients (nuts, etc.) are in extremely large pieces. To reset the unit, turn the ON/OFF switch to the OFF position. Let the unit cool off. After a few minutes, you may turn the unit on again and continue making the

dessert or drink.

#### CLEANING AND STORAGE

**Cleaning**  
Clean the freezer bowl, mixing arm and lid in warm soapy water. DO NOT PUT FREEZER BOWL IN THE DISHWASHER. DO NOT CLEAN WITH ABRASIVE CLEANSERS OR IMPLEMENTS. Wipe motor base clean with damp cloth. Dry all parts thoroughly.

#### RECIPES

- 1 packet of sweetener = 2 teaspoons (10 ml) sugar
- 6 packets = 1/4 cup (60 ml)
- 8 packets = 1/3 cup (75 ml)
- 12 packets = 1/2 cup (125 ml)

#### 1. BASIC RECIPE

250 ml pure milk  
500 ml liquid cream  
180 g sugar  
Canister in -18°C for 24 hours. Canister removed from freezer and immediately turned on and ingredients poured in. It only takes 35 min. to get the soft consistency.

#### 2. EASY VANILLA ICE CREAM

1 1/2 cup whole milk  
3/4 cup sugar  
Dash salt  
1 cup half and half  
1/2 cup whipping cream  
1 teaspoon vanilla extract  
Combine milk, sugar and salt. Stir with a wire whisk until sugar is dissolved. Stir in half and half, whipping cream and vanilla.  
Pour into canister and freeze.

#### 3. OLD FASHIONED VANILLA ICE CREAM

3/4 cup sugar  
1/8 teaspoon salt  
1 3/4 cup whole milk  
2 eggs, beaten  
1 1/2 cup whipping cream  
1 teaspoon pure vanilla extract  
Combine sugar, salt and milk in saucepan. Cook over medium heat, stirring occasionally until mixture almost boils, reduce heat to low.  
Gradually stir about 1/2 cup of hot milk into the beaten eggs. Add eggs to remaining hot mixture. Cook over low heat, stirring until slightly thickened, about 2-3 minutes, remove from heat and chilled mixture, stirring with a wire whisk to combine.  
Pour into canister and freeze.  
Variations: add a variety of ingredients to the ice cream during the last 5 minutes of freezing, use 1/2 cup of any of the following: chocolate chips, crum-

bles chocolate, sandwich cookies, M&M's, crushed peppermint candies, chocolate covered peanuts, etc.  
**Fruit:** add 1cup of pureed fruit such as strawberries, bananas, peaches, blueberries, etc.

**4. PRALINE ALMOND FUDGE ICE CREAM**

3/4 cup light brown sugar  
 1/5 teaspoon salt  
 2 1/4 cup whole milk  
 2 eggs, beaten  
 1 cup whipping cream  
 1 tablespoon pure vanilla extract  
 3/4 cup slivered almonds  
 2 tablespoon butter  
 1/2 cup chocolate fudge topping  
 Combine brown sugar, salt and milk in a saucepan .cook over medium heat until mixture starts to bubble around the edges. Gradually stir about 1 cup of hot milk into the beaten eggs. Add to remaining hot milk, stirring constantly, continue cooking 1minute, remove from heat. Refrigerate 2 hours.  
 Combine whipping cream and vanilla in large bowl; add chilled mixture, stirring with a wire whisk to combine.  
 Saute almonds in butter over low heat about 5 minutes, stir into ice cream mixture.  
 Pour into canister and freeze. During last 5 minutes of freezing pour chocolate fudge topping through opening in top of lid to combine into the ice cream.

**5. STRAWBERRY SORBET**

4 cups fresh or frozen (thawed) strawberries, pureed  
 1/2 cup sugar  
 1 cup water  
 1 tablespoon lemon juice  
 Combine sugar and water in a small saucepan. Heat to boiling. Reduce heat and simmer until sugar dissolves. Remove from heat and cool completely (1-2 hours). Combine with pureed strawberries and lemon juice. Pour into canister and freeze.

**6. EASY CHOCOLATE ICE CREAM**

1 1/3 cups chocolate milk  
 2 cups chocolate milk  
 1/4 cup sweetened condensed milk  
 1/3 cup sweetened condensed milk  
 1/3 cup whipped dessert topping  
 1/2 cup whipped dessert topping  
 Combine all ingredients, pour into canister and freeze.

**7. CHOCOLATE ICE CREAM**

2 1/4 cup whole milk  
 1 cup sugar  
 Dash salt  
 2 ounces (56 g) semisweet chocolate

squares finely chopped  
 2 eggs, beaten  
 3/4 cup half and half  
 1/2 cup whipping cream  
 1 teaspoon vanilla extract  
 Combine milk, sugar, salt and chocolate in a saucepan. Cook over medium heat, stirring constantly, until chocolate is melted and mixture almost boils. Gradually stir about 1 cup of the hot mixture into the beaten eggs. Add the eggs to remaining hot mixture. Cook and stir over low heat until slightly thickened (2 minutes). Stir in half and half, whipping cream and vanilla. Cover and freeze for 2 hours. Pour into canister and freeze.

**8. CINNAMON WALNUT ICE CREAM**

1 1/2 cups whole milk  
 1 cup half and half  
 1/2 cup whipping cream  
 3/4 cup sugar  
 1 cup chopped walnuts  
 1 1/4 teaspoon vanilla extract  
 1/3 teaspoon cinnamon  
 Dash salt  
 Thoroughly combine all ingredients. Pour into canister and freeze.

**9. DOUBLE ALMOND CHOCOLATE ICE CREAM**

1 1/2 cups whole milk  
 3/4 cup sugar  
 Dash salt  
 2ounces semisweet chocolate squares finely chopped  
 2 eggs, beaten  
 1 1/2cup whipping cream  
 1 teaspoon vanilla extract  
 2 teaspoons almond extract  
 1 cup chopped almonds  
 Combine milk, sugar salt and chocolate in saucepan. Cook over medium heat, stirring constantly, until chocolate is melted and mixture almost boils. Gradually stir 1 cup of the hot mixture into the beaten egg. Pour eggs into the remaining hot mixture and continue cooking over low heat until slightly thickened (2-3 minutes). Remove from heat. Stir in whipping cream, vanilla, almond extract and chopped almonds. Cover and refrigerate for 2 hours. Pour into canister and freeze.

**Technical Data:**

Power: 50 W  
 Rated Voltage: 220-240 V  
 Rated Frequency: 50 Hz  
 Rated Current: 0.22  
 Aluminum Inner Capacity: 2 l  
 Cooking Time for Ice-Cream: 30-40 min

Set  
 ICE CREAM MAKER 1  
 INSTRUCTION MANUAL

WITH WARRANTY BOOK 1  
 PACKAGE 1 4.

**ENVIRONMENT FRIENDLY DISPOSAL**

You can help protect the environment!  
 Please remember to respect the local regulations: hand in the non-working electrical equipment to an appropriate waste disposal center.  
 The manufacturer reserves the right to change the specification and design of goods.



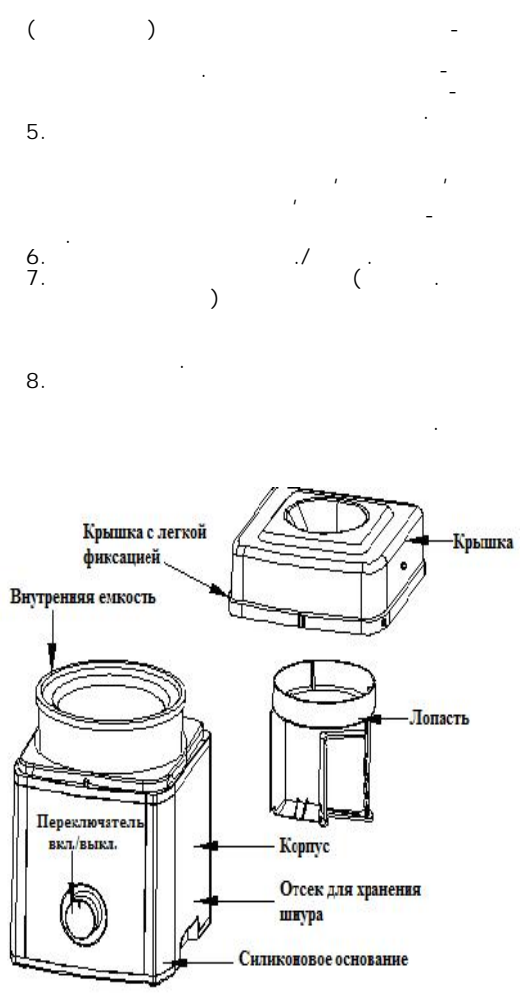
RU

! ( )  
 "Saturn"  
 7.  
 8.  
 9.  
 10.  
 11. 1,5 ( )  
 1,5  
 12.  
 13.  
 1.  
 2.  
 3.  
 14. ("OFF").

15.  
16.  
17.  
18.  
19.  
20.  
21.

105°F/41°C.

- 2



6 22

-30°C	8-9
-25°C	12-13
-18°C	20-22
-15°C	24

1.

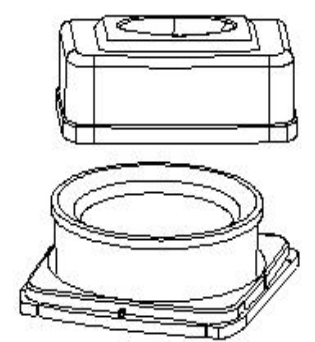
2

1,5

2.

3.

4.



5.

/ »).

'ON' («

6.

7.

25-35

5

( )

/ 'OFF' (« »).

1 = 2

6 (10 ) = 1/4  
 8 = 1/3 (60 )  
 12 = 1/2 (75 )  
 (125 )

1. 250 ( )  
 500  
 180

18°C 24

35

2. 1 1/2  
 3/4

1 ( )  
 1/2 )  
 1

( )

3. 3/4  
 1/8  
 1 3/4  
 2  
 1 1/2  
 1 )

2-3

5  
 1/2

(M&M's),  
 ( )

4. 3/4 ( )  
 1/5  
 2 1/4  
 2  
 1  
 1  
 3/4  
 2  
 1/2

1 2

5. 5  
 4  
 ( )  
 1/2  
 1  
 1

6. 1 1/3  
 2  
 1/4  
 1/3  
 1/3  
 1/2

7. 2 1/4  
 1  
 2 (56 )  
 2  
 3/4 ( )  
 1/2  
 1

1 2

8. 1 1/2  
 1 ) ( )  
 1/2  
 3/4  
 1  
 1 1/4  
 1/3

9. 1 1/2  
 3/4  
 2 ( 56 )  
 2  
 1 1/2  
 1  
 2  
 1

1 (2-3 )

2 (56 )

1 ( )

7. 2 1/4 (2-3 )

2 (56 )

2 3/4 ( )

1/2 1

1 2

30-40

:50 :220-240  
 :50 :0.22 A  
 :2

1  
 1  
 1



U

"Saturn".

1,5

1,5

1.

2.

3.

4.

5.

6.

7.

8.

9.

10.

11.

12.

13.

14.

15.

16.

17.

18.

19.

20.

21.

105°F/41°C.

- 2

1.

2.

3.

4.

5.

6.

7.

8.



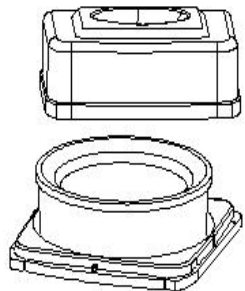
6 22

-30°C	8-9
-25°C	12-13
-18°C	20-22
-15°C	24

1. / »). 'ON' (« -
2. / »).
3. 25-35

- 1 (10 ) = 2  
 $\frac{6}{8} = \frac{1}{4}$  (60 )  
 $\frac{8}{12} = \frac{1}{3}$  (75 )  
 $\frac{12}{12} = \frac{1}{2}$  (125 )
1. 250 ( )  
500  
180
2. 1 1/2  
3/4  
1  
1/2  
1
3. 3/4  
1/8  
1 3/4  
2  
1 1/2  
1

- 1
4. ( )  
3/4  
1/5  
2 1/4  
2  
1  
1
- 3/4  
-18°C  
2  
1/2
- 5
5. 4 ( )  
1/2  
1  
1
6. 1 1/3  
2  
1/4  
1/3  
1/3  
1/2





7.  
2 1/4  
1

2 (56 )

2  
3/4

1/2  
1

1

(2 )

2

8.

1 1/2  
1

1/2  
3/4  
1

1 1/4

1/3

9.

1 1/2  
3/4

2 ( 56 )

2  
1 1/2

1  
2  
1

3

30-40

50  
220-240  
50  
: 0.22 A  
: 2



# Saturn®

## INTERNATIONAL MANUFACTURER'S WARRANTY

## MEZINÁRODNÍ ZÁRUKA

**INTERNATIONAL MANUFACTURER'S WARRANTY**

The Warranty is provided for the period of 2 years or more if the Law on User Right of the country where the appliance was bought provides for a greater minimum warranty period.

All terms of warranty comply with to the Law on Protection of the Consumer Rights and are governed by the legislation of the country where the product was bought. The warranty and free of charge repair are provided in any country where the product is delivered to by Saturn Home Appliances or authorized representative thereof, and where no restriction of import or other legal provisions interfere with rendering of warranty services and free of charge repair.

**Cases uncovered by the warranty and free of charge repair:**

1. Guarantee coupon is filled in improperly.
2. The product has become inoperable because of the Buyer's nonobservance of the service regulations indicated in the instruction.
3. The product was used for professional, commercial or industrial purposes (except for the models, specially intended for this purpose that is indicated in the instruction).
4. The product has external mechanical damage or damage caused by penetration of the liquid inside, dust, insects and other foreign objects.
5. The product has damages caused by non-observance of the rules of power supply from batteries, mains or accumulators.
6. The product was exposed to opening, repair or modification of design by the persons, unauthorized to repair; independent cleaning of internal mechanisms etc. was made.
7. The product has natural wear of parts with limited service life, expendables etc.
8. The product has deposits of scale inside or outside of fire-bar elements, irrespective of used water quality.
9. The product has damages caused by effect of high (low) temperatures or fire on non-heat resistant parts of the product.
10. The product has damages of accessories and nozzles which are included into the complete set of product shipment (filters, grids, bags, flasks, cups, covers, knives, sealing rings, graters, disks, plates, tubes, hoses, brushes, and also power cords, headphone cords etc.).

**On the warranty service and repair, please contact the authorized service centers of "Saturn Home Appliances".**

**MEZINÁRODNÍ ZÁRUKA**

Záruka se poskytuje na dobu 2 roky. V případě že Zákon na ochranu spotřebitele dané země nařizuje delší dobu, prodlužuje se záruka na tuto dobu.

Veškeré záruční podmínky odpovídají Zákonu o ochraně práv uživatelů a jsou řízené zákonodárstvím státu, kde byl výrobek koupen.

Záruka a bezplatná oprava se poskytují v každém státě, kam jsou výrobky dodané společností „Saturn Home Appliances“ nebo jejím zplnomocněným zástupcem a kde nejsou žádná omezení na dovoz nebo jiné právní předpisy omezující poskytnutí záručního servisu a bezplatné opravy.

**Případy, na které se záruka a bezplatná oprava nevztahují**

1. Záruční list je vyplněn nesprávně.
2. Výrobek byl poškozen kvůli tomu, že zákazník nesplnil pravidla použití, která jsou uvedena v návodu.
3. Výrobek byl používán k profesionálním, komerčním nebo průmyslovým účelům (kromě modelů speciálně určených pro tyto účely, což je uvedeno v návodu).
4. Výrobek má vnější mechanická poškození nebo poškození, vyvolaná tím, že se dovnitř dostala tekutina, prach, hmyz a jiné cizí předměty.
5. Výrobek má poškození, která jsou vyvolaná nesplněním pravidel napájení od baterií, sítí nebo akumulátorů.
6. Výrobek rozebírali, opravovali nebo měnili jeho konstrukci lidé, kteří nebyli zplnomocněni k opravě, bylo provedeno samostatné ústřední vnitřní mechanismy a pod.
7. Výrobek má přirozené opotřebování dílů s omezenou dobou použití, spotřebních materiálů atd.
8. Výrobek má vrstvu usazeniny uvnitř nebo zvenku termoelektrických ohřevů, bez ohledu na kvalitu používané vody.
9. Výrobek má poškození, která jsou vyvolaná působením vysokých (nízkých) teplot nebo ohněm na termonestabilní části výrobku.
10. Výrobek má poškození přístrojů a nástavce, které jsou dodané spolu s výrobkem (filtry, síky, sáčky, bačky, mísy, víka, nože, šlehače, struhadla, kotouče, talíře, trubky, hadice, kartáče a také síťové šňůry, sluchátkové šňůry atd.).

**V otázkách záručního servisu a oprav se obraťte na autorizovanou servisní středisko společnosti „Saturn Home Appliances“.**

2

«Saturn Home Appliances»

- 1.
- 2.
- 3.
- 4.
- 5.
- 6.
- 7.
- 8.
- 9.
- 10.

«Saturn Home Appliances».

					LCD		
.4	" -	8-988-993-37-78	+		+	+	+
18	,	8(8553) 32-22-11 8-960-047-22-11	+	+	+	+	+
98	« - »	8(86133) 6-09-84, 8-918-215-57-75	+	+	+	+	+
48, .108	" - "	8(3955) 67-00-44, 8(3955) 56-61-77	+	+	+		+
,109	-	8(86152)2-81-99	+	+	+	+	+
.1, .1, 12	« -29»	8(8182) 44-15-55	+				
,47	« »	8(8512)25-19-39 8(8512) 25-12-00	+	+	+		
16,2 .7	« - »	8(8512) 54-67-67, 8(8512) 54-91-91				+	+
, .15	« »	8(85141) 3-61-25	+	+	+	+	+
32		8-927-552-47-21, 8-937-122-13-99				+	+
.113	« »	8(3852) 63-94-02	+		+	+	+
.25		8-905-425-60-4-73	+	+	+		

№ 37	-	8(8635) 47-47-72, 8(8635) 47-47-72	+	+	+	+	+
№ 63	« - »	8(86155)3-11-00, 8-918-980-64-75	+	+	+	+	+
№ 84	..	8(86559) 2-08-02, 8(86559)5-29-71	+	+	+	+	+
№ 58	« »	8(8442) 23-41-36, 8(937) 717-93-34	+		+		
№ 173	« - »	8(8442) 97-50-10, 8-960-883-59-00			+		
№ 4	..	8(8442) 98-16-47, 8(8442) 53-06-04	+	+	+	+	+
№ 54	« »	8-961-688-53-48			+		
№ 9	-	8-927-521-52-00			+		+
№ 32		8-937-722-68-12				+	+
№ 158		8-937-730-66-03			+		+
№ 14-55		8-904-404-14-55				+	+
№ 12/15	«Master»	8-928-126-63-66	+			+	
№ 65	« »	8(937) 717-93-36	+			+	

№ 65	« »	8(8172) 70-03-45, 8(8172) 54-21-54	+			+	+	+	+
№ 1	« »	8(8172) 52-72-51	+			+			
№ 46	" "	8(473) 260-09-08, 8(473) 240-57-73	+				+	+	
№ 140/1	- ..	8(87951) 6-47-93, 8-928-654-28-01				+			
№ 48	« »	8-962-655-20-00	+			+	+	+	+
№ 68	« »	8(8313) 21-14-14	+				+		
№ 54	« »	8(8313) 20-93-00, 8(8313) 20-92-94					+		
№ 63	" - "	8(84235) 2-86-59, 8(84235) 9-14-64	+				+	+	+
№ 84	« » -	8(86132) 2-11-71, 8(86132) 3-66-02	+			+	+	+	+
№ 64	" - "	8(343)240-26-60	+				+		
№ 16	/ " - "	8(343) 201-51-41, 8(343)347-76-83	+			+	+	+	+
№ 47	« »	8(47467) 4-12-08, 8(47467) 4-33-17	+				+		
№ 45/6	« - »	(4932) 335185, (4932) 335236	+			+	+	+	+

« 2014 г. № 4	« - »	8(3412) 3079-79, 8(3412)30-83-07	+		+	+	+
« 2014 г. № 76	« - »	8(3412) 78-76-85, 8(3412) 78-06-64	+		+	+	+
« 2014 г. № 7/1, 301, 307	« - »	8(3412) 44-60-40, 8(3412) 44-60-67		+			
« 2014 г. № 7 ( « »)	« 26» -	8(86545) 2-74-74		+			
« 2014 г. № 24	« - »	8(8362) 24-11-24, 8(8362) 25-55-40	+	+	+	+	
« 2014 г. № 20	« »	8(39520) 65-04-95, 8(39520) 93-16-56	+		+	+	
« 2014 г. № 24	" "	8(3952) 42-55-76, 8(3952) 78-15-83	+		+		
« 2014 г. № 38	« »	8(843) 248-71-17, 8(843) 258-85-65	+		+		
« 2014 г. № 25, 47	« - »	8 (4842) 54-82-22, 8 (4842) 54-83-33	+	+	+	+	+
« 2014 г. № 33	-	8(3439) 39-95-20, 8(34399)34-74-40	+	+	+	+	+
« 2014 г. № 53/2	-	8(3842) 35-39-67	+			+	
« 2014 г. № 42	« - »	8(8332) 56-25-95, 8(8332) 54-70-77	+		+	+	
« 2014 г. № -	-	8-988-548-24-36	+	+	+		

« 2014 г. № 9							
« 2014 г. № 5	« - »	8(4942) 300107, 8(4942) 300107		+		+	+
« 2014 г. № 2,	-	8(86142)4-43-59	+	+	+	+	+
« 2014 г. № 3	-	8(861) 267-50-88	+	+	+	+	+
« 2014 г. № 103, 55	« - »	8(861) 222-64-13, 8(861) 222-85-55, 8-905-408-08-38	+	+	+	+	+
« 2014 г. № 42/2	-	8-918-041-31-04, 8(86131) 71-2-72			+		+
« 2014 г. № 116	-	8(86164) 7-01-22			+		
« 2014 г. № 57	" "	8(86145) 3-78-74	+	+	+	+	+
« 2014 г. № 25	« - »	8(86164) 65-4-95, 8-918-355-81-70	+	+		+	+
« 2014 г. № 1	-	8(86153) 4-16-70			+		
« 2014 г. № 168	" - "	8(86151) 4-33-54, 8-918-464-00-86	+	+		+	+
« 2014 г. № 1	« - »	8(3912) 93-54-33, 8(3912) 94-52-82	+	+	+	+	+

36- 37-	« +»	8 (4712) 50-85-90, 8 (4712) 35-04-91	+	+	+	+	
. .2	« »	8 (86169) 7-39-99, 8(86169) 7-24-96	+	+	+	+	+
.66	" "	8(4742) 33-45-65, 8(4742) 33-45-95	+	+	+	+	+
.29	« - »	8 (8772) 52-36-90	+	+	+	+	
25	« - »	8 (8772) 55-62-38		+			+
.20	« - »	8( 8722) 93-30-73	+	+	+	+	+
11	« »	8(86385) 2-33-26 8-960-458-07-11	+	+		+	+
.16, .9	« - »	8 (499) 340-29-89, 8 (499) 733-25-00		+			
1534	« - »	8(499) 717-82-07, 8(499) 717-82-12	+		+	+	+
.3 ( )	« »	8(495) 721-30-70, 8(499) 168-05-19, 8(499) 168-47-15	+		+	+	+
.20 (30/05)	« »	8(8552) 359002, 8(8522) 359042	+	+	+		
24	" - "	8(8662) 42-04-30 8(8662) 42-12-21	+		+	+	
55	« - »	8(86554) 5-59-77, 8(86554) 3-67-57	+	+	+	+	+

.9 ( « »)	« »	8(8555) 48-08-80, 8-917-906-60-06	+			+	+	+
.21	« - »	8(831) 229-63-66, 8(831) 229-60-87	+			+	+	
.18	« - »	8(831) 46-18-848		+				+
.6	« - »	8(831) 46-18-848		+				+
.18	« - »	8 (3843) 20-31-33	+			+	+	+
.14	« - »	8(8617) 63-11-15, 8(8617) 63-03-95	+	+	+	+	+	+
17	" - "	8(383)274-99-33, 8(383) 274-99-45	+			+		
.24		8(86369) 3-74-75, 8-928-609-35-85	+	+	+			
.4		8 (3532) 36-87-94	+				+	+
.16	« - »	8(3532) 77-67-64 , 8(3532) 78-15-82	+	+	+	+	+	+
.130	" - "	8(3812)36-42-02	+			+	+	+
.2	« - +»	8(3537) 33-84-43, 8(3537) 35-13-18	+	+	+	+	+	+
.2	« »	8(8412) 26-09-60, 8(8412) 26-12-29	+			+	+	+

№ 3,	« - »	8 (342) 221-40-99	+	+	+	+	+
№ 11	« - »	8(8142) 78-06-93, 8(8142) 70-65-48	+		+		
№ 11	« - »	8 (8112)-53-86-30, 8 (8112)-53-86-50	+		+		
№ 12		8(793) 31-84-16	+	+	+	+	+
№ 13	" "	8(8793) 98-70-11	+	+	+	+	+
№ 148	-	8(47396) 48-911	+	+	+	+	+
№ 37	« - »	8(863) 250-47-77	+		+		
№ 50-1/52, 55	« »	8 (863) 21-92-112, 8-800-100-51-52	+	+	+	+	+
№ 11 /17		8-906-453-35-81	+		+		
№ 12	« - »	8(4855) 22-04-77, 8(4855) 25-38-60	+	+	+	+	+
№ 14	" "	8(86370) 2-19-50	+	+	+	+	+
№ 12	" - "	8(4855) 22-04-77, 8(4855) 25-38-60	+	+	+	+	+
№ 12		8(4855) 24-31-21	+	+	+	+	+

№ 21	« - »						
№ 14,	« - »	8(4912) 76-88-01, 8(4912) 40-30-30	+	+	+	+	+
№ 42" "	« - »	8(4912) 41-33-02,	+	+	+	+	+
№ 8, 9		8(846) 931-85-46	+	+	+	+	
№ 63	" "	8(846) 379-54-54	+	+	+	+	+
№ 197	« - XXI»	8(812) 600-11-97	+	+	+	+	
№ 41,	« - »	8(812) 325-36-56, 8(812) 325-36-57	+		+	+	
№ 11, 36	« -95»	8(812) 822-18-00, 8(812) 320-06-61	+				
№ 1	« - »	8(8342) 23-05-91, 8(8342) 47-48-59	+	+	+		
№ 3-	« - »	8(8452) 35-11-80, 8(8452) 55-43-63	+	+	+	+	+
№ 167/1		8-951-522-38-11	+	+	+	+	+
№ 253	« - »	8(496) 547-04-95, 8(496) 549-32-79	+	+		+	+
№ 90	« »	8 (8622)55-51-19, 8 (8622) 55-01-08	+			+	+

50 , 8/1	« »	8(8652) 74-01-91	+	+	+		
63	« »	8(8652) 24-30-14, 8(8652) 23-31-81	+	+	+	+	+
15 , 21	« »	8(8652)95-53-68, (8652)95-61-90			+		
1	« »	8 (4725) 24-62-27, 8 (4725) 24-73-49	+	+	+		
158	« »	8(3473) 20-12-13, 8(3473) 20-27-70	+		+	+	+
25	« »	8(8212) 22-95-29, 8(8212) 29-12-20	+	+	+	+	+
137	« -2000»	8(4752) 56-19-42, 8(4752) 56-19-44	+	+	+	+	+
88/15	-	8-910-834-80-35, 8-952-065-89-10	+		+		
24/2	- -	8(86130) 4-86-59, 8-918-147-02-03	+	+		+	+
2/2	" "	8(86196) 7-20-53	+	+	+	+	+
48	« +»	8(8482) 22-72-41, 8(8482) 22-71-85, 8(8482) 61-65-64	+	+	+	+	+
58	« -2»	8(3822) 56-23-35, 8(3822) 48-08-80	+		+		

137	« »	8(4872) 31-12-57	+	+	+	+	+
55	"	8(3452) 47-35-69	+		+	+	+
28	« »	8(3012) 21-89-63	+		+	+	+
18, 18, 2	« »	8(8422) 31-00-00	+	+	+	+	+
16/7	« »	8(8422)73-44-22, 8(8422) 73-29-19	+	+		+	+
378	« »	8(87875) 7-44-82	+	+	+		
148	« »	8(3472) 77-12-62	+		+		
153, 42, 7	« »	8(347) 279-90-70, 8(347) 241-62-02					+
15	" "	8(86391) 2-18-06	+		+		
36	« »	8(8352) 62-30-97, 8(4942) 63-20-98	+		+		
102 (	- -	8(351) 772-72-05, 8(351) 772-73-66, 8(351) 772-69-01	+	+	+	+	+
8 (	- -	8(351) 239-39-34, 8(351) 239-39-35	+	+	+	+	+



№ 18	«	8(8202) 54-31-88	+		+	+	+
№ 340	« - »	8(8782) 27-30-60, 8(8782) 27-70-77	+	+	+	+	+
№ 48, 11	" . ."	8(8782)25-04-66, 8(8782)25-19-15	+	+	+	+	+
№ 1	-	8-904-345-83-18	+	+	+	+	+
№ 3-21	« - »	8 (84722) 9-52-07, 8-937-469-52-07	+	+	+	+	+
№ 57	« - »	8(8453) 55-80-89, 8-964-848-45-06	+		+	+	+
№ 12	« - »	8 (4852) 25-94-83	+		+		

UA

1. «Saturn Home Appliances»
- 2.
- 3.
- 4.
- 5.
- 6.
- 7.
- 8.
- 9.
- 10.

«Saturn Home Appliances».

№ 1	№ 36	Hi-Fi	(064) 424-89-50	/	-	-
				-	-	-
1	№ 36	Hi-Fi	(064) 424-89-50	+	+	+

2	. . . .14		(065)632 21 83, 050-904-57-17	+	+	+
3	. . . .66		062744-60- 38(39)	+	+	+
4	. . . .49	-	(04563) 633-19	-	+	-
5	.50- .82	-	(045) 63-68-413	+	+	+
6	. . . .57	-	(041) 43-406-36	+	+	-
7	. . . .43	" "	(0314 1) 43-432	+	+	+
8	. . . .3, .8	-	(044) 332-01-67	+	+	+
9	- . . .42	-	(0432) 46-50-01	+	+	-
10	. . . .61		(0432) 61-95-73	+	+	+
11	- . . .16	-	(0432) 464393; (0432) 468213	+	+	+
12	. . . .3		(0432) 64-24- 57, (0432) 64-26-22	+	+	+
13	. . . .1		(0432) 509-191, 579-191	+	+	+
14	. . . .68, 1 .420		(0562) 337-574	+	+	+
15	17 . . .130	-	(056) 778-63-25 (28)	+	+	+
16	. . . .59		(0562) 35-04-09	+	+	+
17	. . . .118		(0562) 67-60-44	+	+	+
18	. . . .41		(056) 790-04-60	+	+	+
19	. . . .9		(068) 851-33-33	+	+	+
20	. . . .188		(062) 3450607 0953204451	+	+	+

21	. . . .129	-	(062) 349-26-81	+	+	+
22	. . . .1	-	(062) 3027569 (066)5082652	+	+	+
23	. . . .8	" "	(0412) 471-568	+	+	-
24	. . . .4 .222		(067) 410 2198	+	+	+
25	. . . .24	C	(0412) 47-07- 42, 42-11-53	+	+	-
26	. . . .50	-	(061) 220-97-65 (64)	+	+	+
27	. . . .175		(061) 701-65-96	+	+	+
28	. . . .83	-	(061)212-03-03	+	+	+
29	. . . .75		066-085-75-39	+	+	+
30	- . . .19		(0342)559-525, 750-777	+	+	+
31	- . . .14		(0342) 754737	+	+	-
32	. . . .9	-	096-729- 4038,067-484- 9888	+	+	+
33	. . . .76		(04597) 57393	+	+	-
34	. . . .161	-	(04736) 629-49	+	+	+
35	. . . .1	-	(044) 591-11-90	+	+	+
36	. . . .1	" "	(044) 4269198	+	+	-
37	. . . .9 .57	-	(044) 369-5001 (063) 486-6999	+	+	+
38	. . . .10		(06272)2-62-23, (050) 279-68-16	+	+	+

39	' ,1	" "	(0522) 301-456	+	+	+
40	' ,2		(0522) 35-79-23	+	+	+
41	' ,98	-	(0522) 270-345,349-585	+	+	+
42	' ,13	-	(097) 264-21-67, 776-67-70	+	+	+
43	' ,3, .5	" "	(04142) 5-05-04	+	+	+
44	' ,15-106	. .	(06264) 5-93-89	+	+	+
45	' ,7		(050) 526-06-68	+	+	+
46	' ,44, .1		(05366) 39-192	+	+	-
47	' ,42		(056) 401-33-56, 404-00-80, 474-61-03	+	+	+
48	' ,9		(056) 4092302 03	+	+	+
49	' ,64/7		(0564) 40-07-79	+	+	+
50	' ,73	" "	(056) 440-07-64	+	+	+
51	' ,81		(050) 214-91-73; (066) 017-02-03	+	+	+
52	' ,49	-	(0642) 505-783	+	+	+
53	' ,50		(0642)50-57-83	+	+	+
54	' ,96	-	(0642) 494-217, 33-11-86	+	+	+
55	' ,1	-	(0332)290752	+	+	+
56	' ,15	-	(032) 244-53-44	+	+	+
57	' ,35	" "	(032) 2973631	+	+	+

58	' ,2		(032) 247-14-99	+	+	+
59	' ,116	" -	(032) 245-80-52	+	+	-
60	' ,28		(032) 239-51-52 (032) 239-55-77,295-50-28, 295-50-29	+	+	+
61	' ,9	" "	032-267-63-26	+	+	-
62	' ,242		(062)322-55-50	+	+	+
63	' ,2	-	04337-64847;0432-468213	+	+	+
64	' ,24/1		(099) 262-11-18	+	+	+
65	' ,46		(03131)37-337, 37-336	+	+	-
66	' ,50 ,32/18		(0629) 41-06-50	+	+	+
67	' ,227	" -	(0629) 473-000	+	+	+
68	' ,33,	-	(0512) 580-555	+	+	+
69	' ,49	" "	0512-58-21-80	+	+	+
70	' ,2		(0512) 58-06-47	+	+	+
71	' ,62	-	(05662) 22-488, (097) 402-71-95	+	+	-
72	' ,97, .2	" ' -	(05662) 4-15-03	+	+	-
73	' ,38	. .	(055) 497-26-17	+	+	-

74	,38	" "	(041)4152010	+	+	-
75	66 ( )		048-7317704; 7317703;	+	+	+
76	90		(048) 700 17 37	+	+	+
77	,55	" "	(048) 715-10- 25, (0482) 39- 06-18	+	+	+
78	,67	" "	8(05632) 6-15- 54, (05632) 6- 23-42	+	+	-
79	26		050-013-72-17, 0532-509889	+	+	+
80	14		(0532) 69-42-62	+	+	+
81	21	-	(0532) 69-09-46 (093)562-81-25	+	+	+
82	66	-	(0532)615-621	+	+	+
83	,371	-	(04637)53-982 (093)753-38-28	+	+	+
84	,101/1		(046) 3738595	+	+	+
85	,12	-	(0362) 26-67- 53,26-65-85	+	+	-
86	,26		(0692) 55-56- 43, 45-36-99	+	+	+
87	,72	-	(0652)-69-07-78	+	+	+
88	,17/1	" "	(0652) 522-771	+	+	+
89	,32	-	(04733)-46-182	+	+	-
90	15 ( )		(06444)40289	+	+	+
91	171 /10	-	(245) 53-136	+	+	+

92	,19		(0542) 705-296	+	+	-
93	,17	SLT- Service	(0542) 78-10-13	+	+	+
94	,2	" "	(0352) 26-30- 13, 23-17-97	+	+	-
95	1/24	" "	(047) 44-46- 614,(047) 44- 46-134	+	+	+
96	,101		(0312) 661-297	+	+	+
97	12		(057) 717-13- 39, 702-16-20	+	+	+
98	,3		(057) 734-97- 24, 712-51-81	+	+	-
99	18 ( )	" "	(096) 595-37-46	+	+	+
100	1		(03142) 42-258	+	+	+
101	5		(0552) 29-60-42	+	+	+
102	,28		(0552) 43-40-33	+	+	+
103	,35		(0552) 420-235	-	-	+
104	,18		(0382)78-37-55, 78-37-73	+	+	+
105	,10/1	-	(0382) 723-241, 723-240	+	+	+
106	,63		097-549-20-36	+	+	+
107	,7, .301		0472-633-728	+	+	+
108	,71		(0472) 435-389	+	+	+
109	146, .102	" "	(0472) 563-478, 500-354, (096) 505-63-63	+	+	+

110	, .77-		(0462) 601585	+	+	+
111	, 1		(0462) 724872,724949	+	+	+
112	, 105 ( )		(0372) 55-48- 69,90-13-11	+	+	+
113	, 265		(0372) 58-43-01	+	+	+
114	, 3	" - "	(050) 373-73-71	+	+	+
115	, 5	( - )	(050) 324-43-01	+	+	-

GB

### WARRANTY COUPON

**When purchasing the product,  
please require its checking before you;  
BE SURE  
that the goods sold to you, are functional and complete  
and that the warranty coupon is filled in correctly.**

This warranty coupon confirms the absence of any defects in the product you purchased and provides for free of charge repair of the product failed through the fault of the manufacturer throughout the period of warranty service and free of charge repair.

Failing the presentation of this coupon, in case of its improper filling in, infringement of factory seals (if any), and also in cases indicated in the warranty obligations, the claims are not accepted, and no warranty service and free of charge repair is made!

The warranty coupon is valid only in the original copy with the stamp of trading organization, signature of the seller, date of sale and signature of the buyer.

CZ

### ZÁRU NÍ LIST

**P i koupi výrobku  
žádejte o jeho vyzkoušení ve Vaší přítomnosti,  
P E S V D T E S E,  
že Vám prodaný výrobek je dobře fungující a kompletní  
a že záru ní list je vyplněn správně.**

Tento záru ní list potvrzuje, že na Vámi koupeném výrobku nejsou žádné vady a zajišťuje bezplatnou opravu nefungujícího přístroje z viny výrobce, bez ohledu na celou záru ní dobu.

Bez předložení tohoto listu, při jeho nesprávném vyplnění, porušení plomb výrobce (jsou-li na výrobku) a také v případech, které jsou uvedené v záručním listě, nároky se nepřijímají a záruční oprava se neprovádí!

Záru ní list je platný jenom jako originál s razítkem obchodní organizace, podpisem prodávajícího, termínem prodeje a podpisem zákazníka.

RU

# Saturn®

WARRANTY COUPON

ZÁRU NÍ LIST

SATURN HOME APPLIANCES S.R.O. KON VOVA 141,  
13083 PRAHA 3 – ŽIŽKOV, ĚSKÁ REPUBLIKA, TEL: + 4202/ 67 108 392

Model /

Production number/Výrobní íslo/  
/

Date of sell/Termín prodeje/ /

Shop stamp/Razítko obchodu/ /

Seller's signature/Podpis prodava e/ /

Buyer's Signature confirming the acquaintance and consent with conditions of free of charge maintenance service of the product, and absence of the complaints on appearance and color of the product.  
Podpis zákazníka, potvrzující seznámení a souhlas s podmínkami bezplatného záru ního servisu výrobku, a také neexistence nárok na vn ěšek a barvu výrobku.



UA

<b>Saturn®</b>	<b>Saturn®</b>	<b>Saturn®</b>
Model / / .....	Model / / .....	Model / / .....
Production number / / .....	Production number / / .....	Production number / / .....
Name of the Trade Company / / .....	Name of the Trade Company / / .....	Name of the Trade Company / / .....
Stamp of the Trade Company / / .....	Stamp of the Trade Company / / .....	Stamp of the Trade Company / / .....
Client Address/Phone # / / .....	Client Address/Phone # / / .....	Client Address/Phone # / / .....
Date of Receiving / / .....	Date of Receiving / / .....	Date of Receiving / / .....
Defect / / .....	Defect / / .....	Defect / / .....
Signature, Stamp / / .....	Signature, Stamp / / .....	Signature, Stamp / / .....
<b>COUPON 1</b>	<b>COUPON 2</b>	<b>COUPON 3</b>