

Saturn[®]

ST-EC0149

TOASTER



GB

TOASTER

Dear Buyer!
 We congratulate you on having bought the device under trade name "Saturn". We are sure that our devices will become essential and reliable assistance in your housekeeping.

Avoid extreme temperature changes. Rapid temperature change (e.g. when the unit is moved from freezing temperature to a warm room) may cause condensation inside the unit and a malfunction when it is switched on. In this case leave the unit at room temperature for at least 1.5 hours before switching it on.
 If the unit has been in transit, leave it indoors for at least 1.5 hours before starting operation.

DESCRIPTION

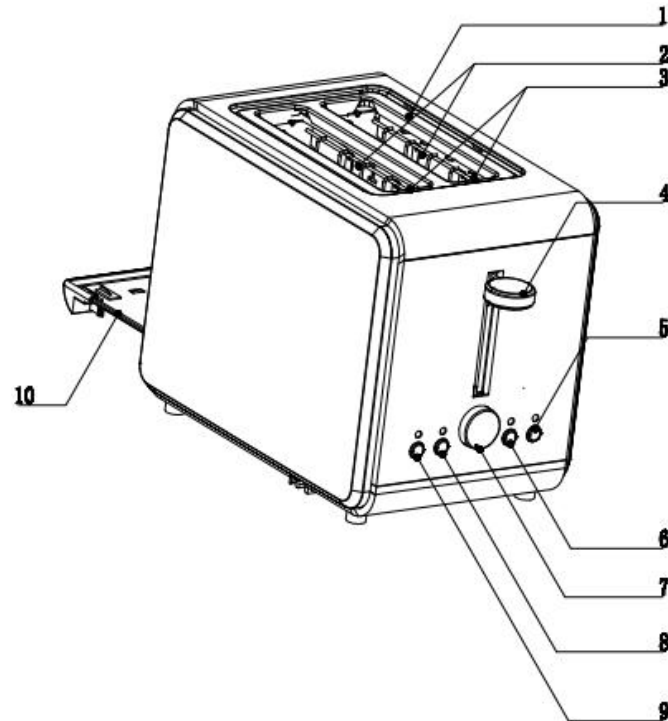
1. Top cover
2. Heating Element
3. Toasting slots
4. Push knob
5. Cancel button
6. Defrost button
7. Bread Browning Level
8. Reheat button
9. Cancel button
10. Crumb tray

Cancel button: To interrupt toasting at any time, press this button
 Reheat button: To toast warm bread, press this button
 Defrost button: To toast cold bread, press this button

PLEASE READ CAREFULLY - ALWAYS MAINTAIN SAFETY WHEN WORKING WITH ANY APPLIANCE.

IMPORTANT SAFEGUARDS

- > Do not use outdoors, household use only.
- > Do not use this product for anything other than intended use.



- > Using attachments not recommended or sold by manufacturer may cause

- hazards.
- To protect against risk of electrical shock, do not put appliance, cord, plug in water or other liquid or where water may flood the area.
- Place the appliance securely in the center of the counter or work space on a flat surface.
- Check the main voltage correspond with the rating of the appliance before operating.
- Unplug from outlet when not in use or before cleaning.
- Do not pull plug out by the cord.
- Do not touch hot surfaces. Allow to cool before putting on or taking off any parts.
- Do not leave any appliance unattended while it is operating.
- Close adult supervision must be provided when this appliances is used by or near children. This appliance is not recommended for children.
- This appliance is not intended for use by persons (including children) with reduced physical, sensory or mental capabilities, or lack of experience and knowledge, unless they have been given supervision or instruction concerning use of the appliance by a person responsible for their safety.
- Do not operate with a damaged cord, plug, after the appliance malfunctions, or if it is dropped or damaged in any manner.
- Do not let cord hang over edge of table or counter. Do not let cord come in contact with hot surfaces, including the stove.
- Do not place near hot gas, electric burner, in an oven, or in a dishwasher.
- If the supply cord or appliance is damaged, it must be replaced by the manufacturer or its service agent or a similarly qualified person in order to avoid a hazard.
- No liability can be accepted for any damage caused by noncompliance with these instructions or any other improper use or mishandling.
- Use the toaster without bread for the first time. There will be some smoke at first; this is normal.
- The toaster reaches very high temperatures, particularly in the area of the openings for the bread.
- Bread may burn. Therefore this toaster must not be used near or below curtains and other combustible materials.
- Do not place the cable or any other object over the bread openings whilst the toaster is in operation.
- Do not attempt to dislodge food while the toaster is in operation.
- Toasting lever must be in the 'UP' position

- tion before attaching or disconnecting the plug from wall outlet.
- Do not insert metal objects or other utensils into the toaster, as this will cause an electric shock or cause a fire.
- Children should be supervised to ensure that they do not play with the appliance.
- Service life – 3 years.

USER INSTRUCTIONS

- Bread can be toasted as follow: Push the plug into the socket and turn on the toaster using the toast lever. Note: When using the appliance for the first time, it will emit some smoke. This is normal and it will stop by itself after a few minutes.
- The stop button with indicator light-the light comes on automatically once the toaster is turned on.
- The stop button is there to prematurely stop the toasting process.
- Reheat button with indicator light-the light goes on when the button is depressed.
- The reheat button is used to heat up the toast.
- The defrost button with indicator light-the light goes on when the button is depressed.
- The defrost button is used for toasting bread directly from the freezer.
- Place the bread in the toaster clip.
- The clip can be opened by pushing together by hand.
- Place the clip in the toaster.
- Do not use a knife, fork or other utensil to remove the bread from the toaster or to clean the toaster. If the bread becomes lodged in the toaster, unplug the appliance before attempting to remove it.
- The top of the appliance becomes hot because metal conducts heat so well. Therefore do not touch the outside of the toaster during use and keep well out of reach of children.

CLEANING INSTRUCTIONS

- Switch off and unplug toaster from the power outlet.
- Allow to cool before cleaning.
- Wipe over exterior of toaster and cord with a soft damp sponge or cloth.
- Do not use abrasive or strong household cleaners as they will damage the finish.
- The crumb tray will need to be cleaned occasionally.
- Brush the crumbs from the tray using a small brush or cloth.
- Slide the crumb tray back, ensuring it locks into place.

- Do not try to clean the inside of the toaster, as this may damage the heating elements.
- Water and other liquid must never enter the toaster.

Specifications
 Power: 850 W
 Rated voltage: 220-240 V
 Rated frequency: 50 Hz
 Rated current: 3.8 A

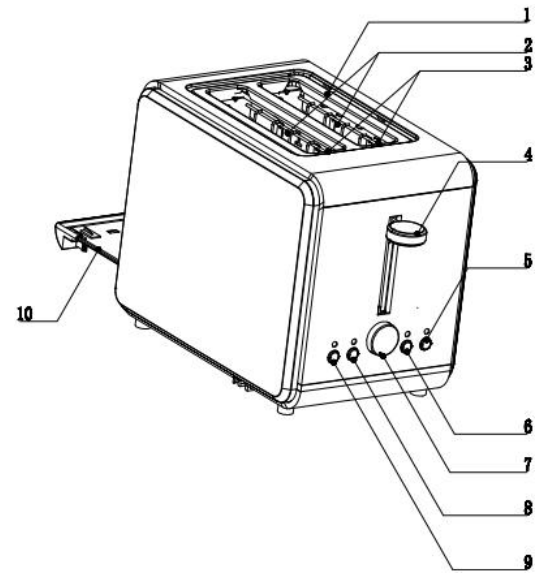
- Set TOASTER 1
- INSTRUCTION MANUAL WITH WARRANTY BOOK 1
- PACKAGE 1
- ENVIRONMENT FRIENDLY DISPOSAL



You can help protect the environment!
 Please remember to respect the local regulations: hand in the non-working electrical equipment to an appropriate waste disposal centre.

The manufacturer reserves the right to change the specification and design of goods.

RU



- 5.
- 6.
- 7.
- 8.
- 9.
- 10.

(UP)

- 3

14

850

220-240

50

3,8

M

OM

1

1

1



- 1.
- 2.
- 3.
- 4.
- 5.
- 6.
- 7.
- 8.

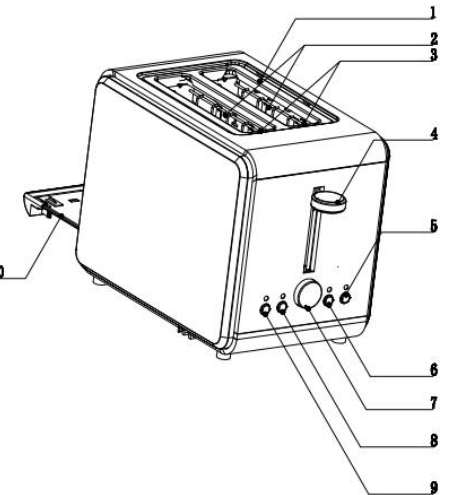
U

!

"Saturn"

1,5

1,5



9.
10.

7

6

850
220-240
50
3,8

1



1

1



(UP)

- 3

Saturn®

INTERNATIONAL MANUFACTURER'S WARRANTY

MEZI NÁRODNÍ ZÁRUKA

GB

INTERNATIONAL MANUFACTURER'S WARRANTY

The Warranty is provided for the period of 2 years or more if the Law on User Right of the country where the appliance was bought provides for a greater minimum warranty period.

All terms of warranty comply with to the Law on Protection of the Consumer Rights and are governed by the legislation of the country where the product was bought.

The warranty and free of charge repair are provided in any country where the product is delivered to by Saturn Home Appliances or authorized representative thereof, and where no restriction of import or other legal provisions interfere with rendering of warranty services and free of charge repair.

Cases uncovered by the warranty and free of charge repair:

1. Guarantee coupon is filled in improperly.
2. The product has become inoperable because of the Buyer's nonobservance of the service regulations indicated in the instruction.
3. The product was used for professional, commercial or industrial purposes (except for the models, specially intended for this purpose that is indicated in the instruction).
4. The product has external mechanical damage or damage caused by penetration of the liquid inside, dust, insects and other foreign objects.
5. The product has damages caused by non-observance of the rules of power supply from batteries, mains or accumulators.
6. The product was exposed to opening, repair or modification of design by the persons, unauthorized to repair; independent cleaning of internal mechanisms etc. was made.
7. The product has natural wear of parts with limited service life, expendables etc.
8. The product has deposits of scale inside or outside of fire-bar elements, irrespective of used water quality.
9. The product has damages caused by effect of high (low) temperatures or fire on non-heat resistant parts of the product.
10. The product has damages of accessories and nozzles which are included into the complete set of product shipment (filters, grids, bags, flasks, cups, covers, knives, sealing rings, graters, disks, plates, tubes, hoses, brushes, and also power cords, headphone cords etc.).
11. A defect was a result of inappropriate installing of the appliance by non-specialists of the supplier's authorized service center.

On the warranty service and repair, please contact the authorized service centers of "Saturn Home Appliances".

MEZI NÁRODNÍ ZÁRUKA

Záruka se poskytuje na dobu 2 roky. V případě že Zákon na ochranu spotřebitele dané země na izuje delší dobu, prodlužuje se záruka na tuto dobu.

Veškeré záruční podmínky odpovídají Zákonu o ochraně práv uživatelů a jsou řízené zákonodárstvím státu, kde byl výrobek koupen. Záruka a bezplatná oprava se poskytují v každém státě, kam jsou výrobky dodané společností „Saturn Home Appliances“ nebo jejím zplnomocněným zástupcem a kde nejsou žádná omezení na dovoz nebo jiné právní předpisy omezující poskytnutí záručního servisu a bezplatné opravy.

Případy, na které se záruka a bezplatná oprava nevztahují

1. Záruční list je vyplněn nesprávně.
2. Výrobek byl poškozen kvůli tomu, že zákazník nesplnil pravidla použití, která jsou uvedena v návodu.
3. Výrobek byl používán k profesionálním, komerčním nebo průmyslovým účelům (kromě speciálně určených pro tyto účely, což je uvedeno v návodu).
4. Výrobek má vnější mechanická poškození nebo poškození, vyvolaná tím, že se dovnitř dostala tekutina, prach, hmyz a jiné cizí předměty.
5. Výrobek má poškození, která jsou vyvolaná nesplněním pravidel napájení od baterií, sítě nebo akumulátorů.
6. Výrobek rozebírali, opravovali nebo měnili jeho konstrukci lidé, kteří nebyli zplnomocněni k opravě, bylo provedeno samostatné čištění vnitřních mechanismů a podobně.
7. Výrobek má přirozené opotřebení dílů s omezenou dobou použití, spotřebních materiálů atd.
8. Výrobek má vrstvu usazeniny uvnitř nebo zvenku termoelektrických ohřevů, bez ohledu na kvalitu používané vody.
9. Výrobek má poškození, která jsou vyvolána působením vysokých (nízkých) teplot nebo ohněm na termonestabilní části výrobku.
10. Výrobek má poškození způsobené příslušenstvím a nástavci, které jsou dodané spolu s výrobkem (filtry, síky, sádky, bafly, mísy, víka, nože, šlehače, struhadla, kotouče, talíře, trubky, hadice, kartáče a také síťové šňůry, sluchátkové šňůry atd.).
11. Vada je důsledkem nesprávné instalace výrobku neoprávněnou osobou.

V otázkách záručního servisu a oprav se obraťte na autorizovanou servisní společnost „Saturn Home Appliances“.

- 1.
- 2.
- 3.
4. ().
- 5.
- 6.
- 7.
- 8.
9. ()
10. ()
11. ().

«Saturn Home Appliances»

« Saturn Home Appliances »

: <http://saturn.ua/ru/servis>,
: 0-800 505-27-09

					LCD		
.4	" "	. . 8-988-993-37-78	+		+	+	+
.18		. 8(8553) 32-22-11, . . 8-960-047-22-11	+	+	+	+	+
109	-	. 8(86152)2-81-99	+	+	+	+	+
.1, 12 .1,	" -29"	. 8(8182) 44-15-55	+				
.47	« »	.8(8512)25-19-39, .8(8512) 25-12-00	+	+	+		
.54	" "	.8(8512)50-19-97	+		+		
16, 2 .77	" "	.8(8512)54-67-67, .8(8512)54-91-91		+		+	+
.15	" "	. 8(85141) 3-61-25	+	+	+	+	+
.8	" "	. .8-927-565-11-56	+	+	+	+	+
.32	-	. . 8-927-552-47-21, . . 8-937-122-13-99				+	+
.4 a	- "	.8 (39151) 5-90-94, . . 8-983-158-21-94	+			+	+
.113	" "	.8(3852) 63-94-02	+		+	+	+
.114	" "	.8(3852) 20-25-52, .8(3852) 69-60-09		+			+
.25 .9,		. .8-905-425-60-4- 73	+	+	+		
.37		. 8(8635) 47-47-72, . 8(8635) 47-47-72	+	+	+	+	+

2 .79	" - "	. .8-980-521-76-16	+				
.63	"	. 8(86155)3-11-00, . . 8-918-980-64-75	+	+	+	+	+
.63	"Radmond"	. 8(4162)21-00-88, . 8(4162) 54-01-23	+				
.36	" "	. 8(4832) 68-71-75	+	+	+	+	+
.3	" "	. 8(4832) 63-06-00, . 8(4832) 33-15-61		+			
.18	" "	. 8(3535) 23-23-98, . . 8-922-802-21-58	+	+	+	+	+
.84		. 8(86559) 2-08-02, . 8(86559)5-29-71	+	+	+	+	+
.1		. .8-928-92-00-497, . 8 (86559) 2-07-17					+
.136/4	-ise	. . 8-964-013-00-59	+	+	+	+	+
.39	" "	. 8(4922) 44-72-80, . 8(4922) 44-72-81	+	+	+	+	+
.173	« - »	. 8(8442) 97-50-10, . 8-960-883-59-00		+			
.4		. 8(8442) 98-16-47, . 8(8442) 53-06-04	+	+	+	+	+
.11	" - "	. 8(8442) 37-16-74, . 8(8442) 37-69-03		+			
	" "	. . 8-961-688-53-48		+			
.9		. . 8-927-521-52-00		+		+	+
.32		. . 8-937-722-68-12				+	+

158		8-937-730-66-03		+		+	+
		8-904-404-14-55				+	+
12/15	"Master"	8-928-126-63-66	+		+		
110	"X"	8-961-41-001-71, 8-918-500-54-99	+	+	+	+	+
1	" "	8(8172) 52-72-51	+		+		
46	" "	8(473) 260-09-08, 8(473) 240-57-73	+		+	+	
12-15	" "	8-920-436-08-52, 8-960-131-17-99			+		
13	" "	8(38822) 6-23-32	+		+	+	+
48	" "	8-962-655-20-00	+	+	+	+	+
308		8-962-753-67-67	+				
17	« »	(8712) 22-49-21, 8-928-001-33-03	+	+	+	+	+
68	" "	8(8313) 21-14-14	+		+		
54	" "	8(8313) 20-56-00	+	+	+	+	
63	" "	8(84235) 2-86-59, 8(84235) 9-14-64	+		+	+	+
84	" "	8(86132) 2-11-71, 8(86132) 3-66-02	+	+	+	+	+
55	« »	8(86132)5-05-00	+	+		+	+

81, 3	" "	8(343) 361-11-77, 8(343) 361-11-78	+		+	+	+
64	" "	8(343)240-26-60	+		+		
7, 201	"GOLD"	8-919-372-28-04			+		+
31, 2	" "	(343)385-12-89	+	+	+	+	+
47	" "	8(47467) 4-12-08, 8(47467) 4-33-17	+		+		
22		8(86359) 4-32-23, 8(86359) 4-06-42			+		
45/6	" "	8(4932) 335185, 8(4932) 335236	+	+	+	+	+
(« » 7 « »)	« 26»	8(86545) 2-74-74			+		
4	" "	8(3412) 30-79-79, 8(3412) 30-83-07	+		+	+	+
76	" "	8(3412) 78-76-85, 8(3412) 78-06-64	+		+	+	+
7/1, 301, 307	" "	8(3412) 44-60-40, 8(3412) 44-60-67			+		
24	" "	8(8362) 24-11-24, 8(8362) 25-55-40	+	+	+	+	
24	" "	8(3952) 42-55-76, 8(3952) 78-15-83	+		+	+	
56	" "	8(3952) 28-74-50, 8(3952) 76-71-75			+		+
183	« »	8(34551) 7-46-31					+

9	"VIP-SERVIS"	. 8(843) 258-92-15	+		+	+	
100, 45	" "	. 8(843) 240-64-94	+	+	+	+	+
163	"1000"	. 8(4012) 58-83-54, . 8(4012) 76-04-77	+		+		
33	-	. 8(3439) 39-95-20, . 8(34399)34-74-40	+	+	+	+	+
6	" "	. 8(84457) 9-17-43, . 8(84457) 9-45-89	+	+	+	+	+
157		. 8(8734) 44-42-44	+	+		+	+
53/2	-	. 8(3842) 35-39-67	+			+	
17	" "	. 8(87239)2-33-55, . 8(87239)3-01-77	+	+	+	+	+
42	" - "	. 8(8332) 56-25-95, . 8(8332) 54-70-77	+		+	+	
96		. 8(86393) 2-10-43		+			
9	-	. 8-988-548-24-36	+		+		
2,		. 8(86142)4-43-59	+	+	+	+	+
1	" "	. 8-918-936-36-53		+		+	+
3	-	. 8(861) 267-50-88	+	+	+	+	+
55, 103,	" - - "	. 8(861) 222-64-13, . 8(861) 222-85-55, . 8-905-408-08-38	+	+	+	+	+
16		. (861) 235-49-68	+	+	+	+	+
1\1	" - "	. 8-918-102-00-10, . 8-961-501-92-22	+	+	+	+	+

106	" "	. 8(86156) 3-40-40, . 8-918-990-35-04	+		+	+	
116		. 8(86164) 7-01-22		+			
57	" "	. 8(86145) 3-78-74		+			+
25	" "	. 8(86164) 65-4-95, . 8-918-355-81-70	+	+		+	+
1		. 8(86153) 4-16-70		+			
242, 1		. 8(86 151) 4-10-92	+	+	+	+	+
6	" "	. 8(3912) 92-92-22, . 8(3912) 41-78-88	+	+	+	+	+
1	" "	. 8(3912) 93-54-33, . 8(3912) 94-52-82	+	+	+	+	+
36- 37-	" +"	. 8 (4712) 50-85-90, . 8 (4712) 35-04-91	+	+	+	+	
5	" -	. 8 (4712) 51-45-75	+	+	+	+	+
17	" -	. 8 (4712) 54-74-24	+	+	+	+	+
2	" "	. 8 (86169) 7-39-99, . 8(86169) 7-24-96	+	+	+	+	+
66	" "	. 8(4742) 33-45-65, . 8(4742) 33-45-95	+	+	+	+	+
25	" "	. 8 (8772) 55-62-38		+			+
164	" "	. 8(8722) 93-30-73	+	+	+	+	+
14- 21	-ise	. 8(8722) 63-23-94, . 8(8722) 93-55-15	+	+	+	+	+

11	" "	8(86385) 2-33-26 8-960-458-07-11	+	+		+	+
9	"X"	8-909-401-35-21	+	+	+	+	+
3	" "	8(495) 721-30-70, 8(499) 168-05-19, 8(499) 168-47-15	+		+	+	+
20 (30/05)	" "	8(8552) 359002, 8(8522) 359042	+	+	+	+	+
154 (52/28)	"VIP-SERVIS"	8(8552) 99-91-45	+	+	+	+	+
24	" "	8(8662) 42-04-30, 8(8662) 42-12-21	+		+	+	
55	" "	8(86554) 5-59-77, 8(86554) 3-67-57	+	+	+	+	+
10	" "	8(34783) 3-43-44	+	+	+	+	+
9	" "	8(8555) 48-08-80, 8-917-906-60-06	+		+	+	+
51	" "	8(831) 220-84-94, 8(831) 413-82-91	+		+		
18	" "	8(831) 46-18-848		+			+
6	" "	8(831) 46-18-848		+			+
18	" "	8(3843) 20-31-33	+		+	+	+
21/27	" "	8(48762) 6-46-46	+	+	+	+	+
14	" "	8(8617) 63-11-15, 8(8617) 63-03-95	+		+	+	
17	" "	8(383)274-99-33, 8(383) 274-99-45	+		+		
3, 63,	" "	8(383) 210-59-49, 8(383) 210-52-92	+		+	+	

2	" "	8(383) 351-39-19	+		+		
24	" "	8(86369) 3-74-75, 8-928-609-35-85	+	+	+		
4	" "	8(3532) 36-87-94	+			+	+
5-1	" "	8(3812) 577-092, 8(3812) 576-329	+			+	
194	" « »"	8(3812) 36-74-01					+
130	" "	8(3812)36-42-02	+	+	+	+	
25	" - +"	8(3537) 37-23-83	+	+	+	+	+
11	" "	8(3537) 35-79-93, 8(3537) 20-60-70	+	+	+	+	+
11	" "	8(3537) 35-79-93, 8-987-796-00-19	+	+	+	+	+
3,	" "	8(342) 221-40-99	+	+	+	+	+
19, 1	" "	8(342)240-88-88, 8(342)205-57-88	+	+	+	+	+
11	" "	8(342)240-93-35, 8(342)240-93-24			+		
11	" "	8(8142) 78-06-93, 8(8142) 70-65-48	+			+	
39-5	" "	8(3846) 69-33-00	+	+	+	+	+
11	" "	8(8112)-53-86-30, 8(8112)-53-86-50	+			+	+
5-13	" "	8(8793) 98-70-11, 8-918-743-69-46	+	+	+	+	+
50	" "	8(47396) 48-911	+	+	+	+	+

.18	-	. 8(47396) 47-676	+	+	+	+	+
.37	" "	. 8(863) 250-47-77	+		+		
.7	" - "	. 8(863) 227-60-90, . 8(863) 299-00-50	+	+	+	+	+
.50- 55	" "	. 8 (863) 21-92-112, . 8-800-100-51-52	+	+	+	+	+
.11 /17		. . 8-906-453-35-81	+		+		
.14	" "	. 8(86370) 2-19-50	+	+	+	+	+
.12	" "	. 8(4855) 22-04-77, . 8(4855) 25-38-60	+	+	+	+	+
.21	" "	. 8(4855) 24-31-21	+	+	+	+	+
.14,	« » -	. 8(4912) 76-88-01, . 8(4912) 40-30-30	+	+	+	+	+
.42	« » -	. 8(4912) 41-33-02	+	+	+	+	+
.100 .56	" - "	. 8(846) 990-37-51 . 8(846) 240-98-17	+	+	+	+	+
.149	« - » -	. (846) 979-9-979	+	+	+	+	+
.197	" XXI"	. 8(812) 600-11-97	+	+	+	+	
.41,	" -	. 8(812) 325-36-56, . 8(812) 325-36-57	+		+	+	
.11,36	" -95"	. 8(812) 822-18-00, . 8(812) 320-06-61	+				
.1	" - "	. 8(8342) 23-05-91, . 8(8342) 47-48-59	+	+	+		

.95	" - "	. 8(8452) 52-81-21, . 8(8452) 52-83-84	+	+	+	+	+
.253	" "	. 8(496) 547-04-95, . 8(496) 549-32-79	+	+		+	+
.47	" -S"	. . 8-963-624-49-46			+	+	+
.44	« »	. 8 (4812) 45-05-13, . 8-920-333-09-44	+	+	+	+	+
.90	" "	. 8 (8622)55-51-19, . 8 (8622) 55-01-08	+			+	+
.63	" "	. 8(8652) 24-30-14, . 8(8652) 23-31-81	+	+	+	+	+
.21	.15	. 8(8652)95-53-68, . 8(8652)95-61-90		+			
.3/4	" "	. 8(8652) 44-88-66		+			
.1	" " -	. 8 (4725) 24-62-27, . 8 (4725) 24-73-49	+	+	+		
.158	" - "	. 8(3473) 20-12-13, . 8(3473) 20-27-70	+		+	+	+
.25	" "	. 8(8212) 22-95-29, . 8(8212) 29-12-20	+	+	+	+	+
.137	" -2000"	. 8(4752) 56-19-42, . 8(4752) 56-19-44	+	+	+	+	+
.18	" "	. 8(4822) 47-65-65, . 8(4822) 47-58-58	+	+	+	+	+
.24/2		. 8(86130) 4-86-59, . . 8-918-147-02-03	+	+		+	+
.2/2	" - "	. 8(86196) 7-20-53	+	+	+	+	+
.48	" "+"	. 8(8482) 22-72-41, . 8(8482) 22-71-85, . 8(8482) 61-65-64	+	+	+	+	+
.115	" "	. . 8-910-949-68-44, . . 8-953-182-61-82	+	+	+	+	+

169/5	" "	. 8(3452)75-95-08, . 8(3452)20-82-65	+		+	+		
24	" "	. 8-9292-69-56-60, . 60-56-60-	+	+	+	+	+	+
55	" "	. 8(3452) 47-35-69	+		+	+	+	+
28	" "	. 8(3012) 21-89-63	+		+	+	+	+
16/7	« »	. 8(8422)73-44-22, . 8(8422) 73-29-19	+	+			+	+
6/1	" "	.8(347) 236-57-07	+		+			
59	" - "	. (347) 2281701	+		+	+	+	+
153 7 42	" »	. 8(347) 279-90-70 . 8(347) 241-62-02						+
70	-ise	. 8-928-048-93-10	+	+	+	+	+	+
15	" "	. 8(86391) 2-18-06	+		+			
36	" "	. 8(8352) 62-30-97, . 8(4942) 63-20-98	+		+			
8		. 8(351) 239-39-34, . 8(351) 239-39-35	+	+	+	+	+	+
57 3	" "	.8(351) 225-13-13, .8(351) 236-12-40	+		+	+	+	+
340"	" - "	. 8(8782) 27-30-60, . 8(8782) 27-70-77	+	+	+	+	+	+
48, 11	" . "	. 8(8782)25-04-66, . 8(8782)25-19-15	+	+	+	+	+	+
13	" - "	. 8(8782) 23-91-26, . . 8-928-385-22-42	+	+	+	+	+	+

33	" "	. 8 (3022) 36-39-36, . 8 (3022) 36-39-32	+	+	+	+	+	+
1		. . 8-904-345-83-18	+	+	+	+	+	+
3- 21	" "	. 8 (84722) 9-52-07, . . 8-937-469-52-07	+	+	+	+	+	+
57	" - "	. 8(8453) 55-80-89, . . 8-964-848-45-06	+			+	+	+
12	" - "	. 8 (4852) 25-94-83	+		+			

«Saturn Home Appliances»

- 1.
- 2.
- 3.
- 4.
- 5.
- 6.
- 7.
- 8.
- 9.
- 10.
- 11.

« Saturn Home Appliances» .

: <http://saturn.ua>,
0-800 502-502

, 36	(06442)-91137, (099) 0521001	Hi-Fi ()	+	+	+	+	+	-	+
, 42	(06274)-49128, (06274)-49129		+	+	+	+	+	-	+
. 50- , 82	(04563)-68413	-	+	+	+	+	+	-	+
28	(0456)-333295, (0456)-309400, (094)-9299400	-	-	+	+	+	+	-	-
, 57	(04143)-40636	" "	+	+	+	-	+	+	+
, 43	(03141)-43432	" "	+	+	+	+	-	-	-
. 50 , 51	(0432)-699573		+	+	+	+	+	+	+
, 3	(0432)-642457, (0432)-642622		-	+	+	-	-	-	-
, 1	(0432)-509191, (0432)-579191, (066)-35091-91 (096)-0509191		+	+	+	+	+	-	+
, 16	(0432)-464393, (0432)-468213, (0432)-519254	" "	+	+	+	+	+	+	+
, 43	. 067-7899525		+	+	+	-	-	-	-
, 62-	(05653)-52771		+	+	+	+	+	+	+
, 59	(0562)-350409, (0562)-346705		+	+	+	+	+	-	+
, 6	(056)-7356328, (056)-7356325	-	+	+	+	+	+	-	+
, 46-	(056)-78540-02, (067)-50719-64	-	-	+	+	+	+	+	-
, 41-	(056)-7900460	-	+	+	+	+	+	-	+

	,129-	(066)-2493639	-	+	+	+	-	-	-	+
	,1	.066-5082652, .096-7232447	-	+	+	+	+	+	+	+
	,188	(062)-3450607	-	+	+	+	+	+	-	+
24	,	(0412)-470742	C ()	-	-	+	+	+	-	-
	,8	(0412)-471568, .067-4115812	- (")	+	+	+	-	-	-	+
	,175	(061)-78750-51, (0612)-639790		+	+	+	+	+	+	+
	,83	(0612)-120303	-	+	+	+	+	-	-	+
	,50	(061)-2209764, (061)-2209765	-	+	+	+	+	+	-	+
223	,	(0342)-756040, (0342)-712813		+	+	+	+	+	-	-
19-	,	(0342)-559525, (0342)-750777		+	+	+	+	-	-	-
	,2	.067-3248218	" "	+	+	+	+	+	+	+
76	,	(04597)-57393	" "	+	+	+	-	-	-	-
	,161	.(067)-3248401, (067)-3248365, (04736)-62949	« - »	+	+	+	+	+	+	+
	,16	(044)-4269198, (044)-3629198	" "	+	+	-	-	-	-	+
	,55	(044)-36414-63, (044)-4086660, (044)-4972936, (044)-4973455, (044)-4973619, (044)-4086658	- -	-	+	+	+	+	+	-
1-		(044)-5911190	" "	+	+	+	+	+	+	+
	,2	(0522)-357923, (0522)-278002, (0522)-273300		+	+	+	+	+	-	+

	,1-	(0522)-272840, (0522)-277667	()	-	-	+	+	+	+	+	+	+
	,13	.097-7766770, .097-2642167		+	+	+	+	+	+	+	+	+
10	,	(06272)-26223, (06272)-22186, .050-27968-16	()	+	+	+	-	-	-	-		
	,2-	(04142)-50504	" "	-	+	+	+	+	+	+	+	+
	,7	.050-5260668	-	+	+	+	+	+	+	+	+	+
3	,	(06264)-59389		+	+	+	+	-	+	-		
8	,20	.050-97320-14	-	+	+	+	+	+	-	+		
	,5-	(0626)-412134, .067-2557990		+	+	+	+	+	+	+	+	+
	,44,	(05366)-39192		+	+	+	+	+	+	+	+	+
	,42	(056)-40133-56, (056)-40400-80, (056)-4746103	" "	+	+	+	-	+	+	-		
73	,	(056)-4400764	" "	+	+	+	+	+	-	+		
	,64/7	(056)-4400779		+	+	+	+	+	-	+		
	,9	(056)-4092302, (056)-4092303	()	+	+	+	+	+	+	+	+	+
	,81	050-2149173, .066-017-02-03		+	+	+	+	+	+	+	+	+
96-	,	(0642)-330242, (0642)-331186, .095-3868985	" "	+	+	+	+	+	+	+	+	+
49-	,	(0642)-505783, .095-3624248		+	+	+	+	+	+	+	+	+
	,61	.066-0640564, .050-5809230	-	-	-	-	+	-	-	-		

	(06434)-26025, .099-2710147	- -	+	+	+	+	+	+	+
1	(0332)-290752	" - "	+	+	+	-	-	-	+
15-	(0332)779955, .0970482596	-	+	+	+	+	+	+	+
15-	(032)-24453-40, (032)-2445344		+	+	+	+	+	+	+
2	(032)-2471499		+	+	+	-	-	+	+
28	(032)-2395152, (032)-2395577, (032)-2955028, (032)-2955029	" "	+	+	+	+	+	+	+
116	(032)-2458052	" - "	+	+	+	-	-	+	+
242	(0623)-225550, .066-1032288, .097-7768120		+	+	+	-	-	-	-
50- 32\18	(0629)-496005, (0629)-493006		+	+	+	+	+	-	+
227	(0629)-473000, .098-3122628, .095-0282628	" - "	+	+	+	+	+	-	+
84	(0629)-491881, .067-5975615		+	+	+	+	+	-	+
42	(0619)-444400	(-)	-	+	+	+	+	+	+
51-	(04337)-64847, (0432)-468213	-	+	+	+	+	+	+	+
46	(03131)-37337, (03131)-37336, .099-7974430, .097-3423551		+	+	+	-	+	+	-
33	(0512)-470496, (0512)-478348	" "	+	+	+	+	+	+	+

2	(0512)-580647		+	+	+	+	+	+	-
49	(0512)-582180, .067-5170570, .066-7056444	" "	-	+	+	+	+	+	-
97, 2	(05662)-41503, .099-0743553	" - "	+	+	+	+	+	+	+
189	(0566)-688563, .0505800296	()	+	+	+	+	+	+	+
25	(0566)-687014		-	+	+	+	+	+	+
38	.095-7247266	-	+	+	+	+	+	+	-
38	(04141)-52010	" "	+	+	+	+	+	-	+
90	(048)-7001737 (048)-7874579		+	+	+	+	+	+	+
55	(0482)-390618, .094-8390619		+	+	+	+	+	-	+
27	(048)-7229779 (048)-7712538, (048)-7227066	-	+	+	+	+	+	+	+
2 (66)	(048)-7317703, (048)-7317704		+	+	+	-	-	-	+
172-	(05632)-61554, (05632)-62342		+	+	+	+	+	-	+
75	.096-2840836, .066-0857539	-	+	+	+	+	+	+	+
29	(0532)-694262, .099-601424		+	+	+	+	+	+	+
120	(0532)-509889, .050-0137217		+	+	+	+	+	-	+
66	(0532)-615621	-	+	+	+	+	+	+	+
64	.099-4243675		+	+	+	+	+	+	+

101/1	(04637)-38595, .095-8862199, .063-5974127, .067-2725751		-	+	+	+	+	+	+	+
,12	(0362)-266585	-	+	+	+	+	+	-	+	
,55	(0362)-436452, (0362)-635489, 067-23856-35	-	+	+	+	+	+	+	+	+
,12	.097-7804458		+	+	+	+	+	-	+	
,5	(0362) 43-33-40, .067-3604242		+	+	+	+	+	+	+	+
,1	(06434)-26025, .099-2710147	-	+	+	+	+	+	+	+	+
,24	(06452)-50533, .050-6037272	-	+	+	+	+	+	+	+	+
,32	(04733)-46182	-	+	+	+	+	+	+	+	+
,1	(06444)-40289, .066-1053966	-	+	+	+	+	+	-	+	
\10 ,171-	(03245)-58381	-	+	+	+	-	-	-	-	
,19	.096-3400696		+	+	+	+	+	+	+	+
,2	.067-3576378, .050-5124887	" "	+	+	+	+	+	+	+	+
1/24	(04744)-46614, (04744)-46134	" "	+	+	+	-	-	-	-	
3/2	(0312)-654266, .099-5575307		+	+	+	+	+	+	+	+
,3	(057)-7349724, (057)-7125181	" "	+	+	+	+	-	+	-	
,12	(057)-71713 39, (057)-7021620		+	+	+	+	+	+	+	+
(42) ,18	.096-5953-746	" "	+	+	+	-	-	+	+	
,25	(057)-7513432, (057)-7643383, .067-5757009		-	-	-	+	+	-	-	

,35	(0552)-420235		-	-	-	+	-	-	-	
28-	(0552)-434040, .050-4946043		+	+	+	+	+	+	+	
,23	(0552)-296042		+	+	+	+	+	+	+	
,7	(0382)-664501, .0630750889	-	+	+	+	-	-	+	+	
,2	(0382)-704700, (0382)-704707, (03822)-664616	-	+	+	+	+	+	-	-	
,18	(0382)-783773, (0382)-783755		+	+	+	+	+	+	+	
102 146,	(0472)-563478, (0472)-500354, (0472)-564216, .096-5056363	" "	+	+	+	+	+	+	+	
,71	(0472)-314657, (0472)-565621	" "	+	+	+	-	-	-	+	
.77- ,1	(0462)-601585	" "	+	+	+	+	+	-	-	
,265-	(0372)-584301, (0372)-584249	" "	+	+	+	+	+	-	+	
,101	(0372)-571204, .066-6604161		+	+	+	+	+	+	+	
,105	(0372)-554869, .050-4345529		+	+	+	-	+	+	+	
,3	(03840)-40017, .067-3601632		+	+	+	+	+	+	+	

GB

WARRANTY COUPON

When purchasing the product,
please require its checking before you;

BE SURE

that the goods sold to you, are functional and complete
and that the warranty coupon is filled in correctly.

This warranty coupon confirms the absence of any defects in the product you purchased and provides for free of charge repair of the product failed through the fault of the manufacturer throughout the period of warranty service and free of charge repair.

Failing the presentation of this coupon, in case of its improper filling in, infringement of factory seals (if any), and also in cases indicated in the warranty obligations, the claims are not accepted, and no warranty service and free of charge repair is made!

The warranty coupon is valid only in the original copy with the stamp of trading organization, signature of the seller, date of sale and signature of the buyer.

Complex home appliances should be installed by supplier's authorized service centers, authorized specialists. In the case of a malfunction of the home appliance because of incorrect installation, the buyer must pay the cost of the visit (call) of the specialist, as well as the cost of fault diagnostics if necessary.

RU

CZ

ZÁRUČNÍ LIST

Při koupi výrobku
žádejte o jeho vyzkoušení ve Vaší přítomnosti,

PĚS V DŮLEŽNOSTI

že Vám prodaný výrobek je dobře fungující a kompletní
a že záruční list je vyplněn správně.

Tento záruční list potvrzuje, že na Vámi koupeném výrobku nejsou žádné vady a zajišťuje bezplatnou opravu nefungujícího přístroje z viny výrobce, během celé záruční doby.

Bez předložení tohoto listu, při jeho nesprávném vyplnění, porušení plomb výrobce (jsou-li na výrobku) a také v případech, které jsou uvedené v záručním listě, nároky se nepřijímají a záruční oprava se neprovádí!

Záruční list je platný jenom jako originál s razítkem obchodní organizace, podpisem prodávajícího, termínem prodeje a podpisem zákazníka.

Instalace komplexní spotřebiče musí být provedena autorizovaným servisním specialistou. V případě poruchy v důsledku nesprávné instalace výrobku, kupující je povinen uhradit náklady na výjezd (volání) odborný, pokud je to nezbytné, a náklady na diagnostiku poruch.


UA


Saturn®


WARRANTY COUPON


ZÁRU NÍ LIST


SATURN HOME APPLIANCES S.R.O. KON VOVA 141, 13083
PRAHA 3 – ŽIŽKOV, ESÁ REPUBLIKA, TEL: + 4202/ 67 108 392

Model/ 

Serial number/Sériové íslo/ / 

Date of sell/Termín prodeje/ / 

Shop stamp/Razítko obchodu/ / 

Seller's signature/ Podpis prodava e/ / 

Buyer's Signature confirming the acquaintance and consent with terms of free of charge maintenance service of the product, and absence of the complaints on appearance and color of the product. Podpis zákazníka, potvrzující seznámení a souhlas s podmínkami bezplatného záru ního servisu výrobku, a také neexistence nárok na vn íšek a barvu výrobku.

ВІДМІТКИ ПРО ВСТАНОВЛЕННЯ ВИРОБУ*

Дата встановлення	Назва організації, СЦ	№ наряду	ПІБ та підпис майстра	
			ПІБ та підпис споживача**	

*Побутові прилади, для введення в експлуатацію котрих необхідні установочні, монтажні роботи, повинні вводиться в експлуатацію уповноваженими спеціалістами сервісних центрів постачальника. В разі виникнення несправності виробу з причини некоректної установки вироб може бути знятий з гарантійного обслуговування, а покупець повинен сплатити вартість виїзду (виклику) фахівця, а в разі необхідності і вартість діагностування несправності.

ВІДМІТКИ ПРО ПРОВЕДЕННЯ СЕРВІСНОГО ОБСЛУГОВУВАННЯ

Дата прийому в ремонт	Заявлений споживачем недолік	№ наряду	Назва організації, СЦ	Перелік виконаних робіт	Перелік встановлених запчастин	Дата завершення ремонту	ПІБ та підпис майстра	
							ПІБ та підпис споживача**	

** Підпис споживача свідчить про приймання виробу в робочому стані.

ОТМЕТКИ ОБ УСТАНОВКЕ ИЗДЕЛИЯ*

Дата установки	Название организации, СЦ	№ наряда	ФИО и подпись мастера
			ФИО и подпись потребителя**

*Бытовые приборы, для ввода в эксплуатацию которых необходимы установочные, монтажные работы, должны вводиться в эксплуатацию уполномоченными специалистами сервисных центров поставщика. В случае возникновения неисправности по причине некорректной установки, изделие может быть снято с гарантийного обслуживания, а покупатель должен оплатить стоимость выезда (вызова) специалиста, а в случае необходимости и стоимость диагностики неисправности.

ОТМЕТКИ О ПРОВЕДЕНИИ СЕРВИСНОГО ОБСЛУЖИВАНИЯ

Дата приема в ремонт	Заявленный потребителем недостаток	№ наряда	Название организации, СЦ	Перечень выполненных работ	Перечень установленных запчастей	Дата завершения ремонта	ФИО и подпись мастера
							ФИО и подпись потребителя**

** Подпись потребителя свидетельствует о приеме изделия в рабочем состоянии.

NOTES ABOUT THE INSTALLATION OF THE DEVICE*

Installation date	Name of organization, Service Center	Order No	Master's surname, name, patronymic and signature
			Client's surname, name, patronymic and signature**

* Household appliances for commissioning of which installation and mounting works are required should be commissioning by the supplier's authorized service center specialists. In the case of a malfunction of the product because of incorrect installation, the product may become invalid for warranty service, and the buyer must pay the cost of the visit (call) of the specialist, as well as the cost of fault diagnostics if necessary.

NOTES ABOUT CARRYING OUT OF SERVICE MAINTENANCE

Date of receipt for repair	Client's declared problem	Order No	Name of organization, SC	List of performed work	List of installed spare parts	The repair end date	Master's surname, name, patronymic and signature
							Client's surname, name, patronymic and signature**

** Client's signature certifies about the appliance's receipt at the working condition.

Saturn®	Saturn®	Saturn®
Model/ /	Model/ /	Model/ /
Manufacture date/ /	Manufacture date/ /	Manufacture date/ /
Serial number/ /	Serial number/ /	Serial number/ /
Name of the Trade Company and Stamp/ /	Name of the Trade Company and Stamp/ /	Name of the Trade Company and Stamp/ /
... /locus sigilli	... /locus sigilli	... /locus sigilli
Customer's address, phone#, name, surname/ /	Customer's address, phone#, name, surname/ /	Customer's address, phone#, name, surname/ /
Date of Receiving/ /	Date of Receiving/ /	Date of Receiving/ /
Date of Return/ /	Date of Return/ /	Date of Return/ /
Defect / /	Defect / /	Defect / /
Stamp of the Service Center, signature/ /	Stamp of the Service Center, signature/ /	Stamp of the Service Center, signature/ /
... /locus sigilli	... /locus sigilli	... /locus sigilli
COUPON 1	COUPON 2	COUPON 3