

Saturn[®]

ST- 0143

DEEP FRYER



GB
DEEP FRYER

Dear Buyer!
We congratulate you on having bought the device under trade name « Saturn ». We are sure that our devices will become faithful and reliable assistance in your housekeeping.

Avoid extreme temperature changes. Rapid temperature change (e.g. when the unit is moved from freezing temperature to a warm room) may cause condensation inside the unit and a malfunction when it is switched on. In this case leave the unit at room temperature for at least 1.5 hours before switching it on. If the unit has been in transit, leave it indoors for at least 1.5 hours before starting operation.

IMPORTANT SAFEGUARDS

When using electrical appliances, basic safety precautions should always be followed including the following:

1. Read all instructions.
2. Do not touch hot surfaces.
3. To protect against electrical shock do not immerse cord, plugs, or main body in water or other liquid.
4. This appliance is not intended for use by persons (including children) with reduced physical, sensory or mental capacities, or lack of experience and knowledge, unless they have been given supervision or instruction concerning use of the appliance by a person responsible for their safety.
5. Children shall not play with the appliance.
6. Keep the appliance and its cord out of reach of children.
7. Unplug from outlet when not in use and before cleaning. Allow to cool before putting on or taking off parts.

8. Do not operate any appliance with a damaged cord or plug or after the appliance malfunctions or has been damaged in any manner. Return appliance to the nearest authorized service facility for examination, repair, or adjustment.
9. The use of accessory attachments not recommended by the appliance manufacturer may cause injuries.
10. Household use only and do not use outdoors.
11. Do not let cord hang over edge of table or counter, or touch hot surfaces.
12. Do not place on or near a hot gas or electric burner, or in a heated oven.
13. Extreme caution must be used when moving an appliance containing hot oil or other hot liquids.
14. Do not use appliance for other than intended use.
15. To avoid the risk of electric shock, cook only in removable container.

Service life – 2 years
SAVE THESE INSTRUCTIONS

PRODUCT SAFETY

Please keep and read the **PRODUCT SAFETY** carefully.

1. Make sure that the voltage in use the same with the rating voltage in the rating label.
2. Make sure the socket connected with the fryer is grounded.
3. Power cord hanging outside causes accidents easily especially when children pull it. So please settle the fryer close to the wall and keep the power cord at an appropriate length hanging outside.
4. It is forbidden to leave the fryer working without lid covered. When you open the lid during cooking, the heater and fan will automatically stop working until you close the lid.
5. Don't leave the fryer working without attention.
6. Don't touch the outer when working.

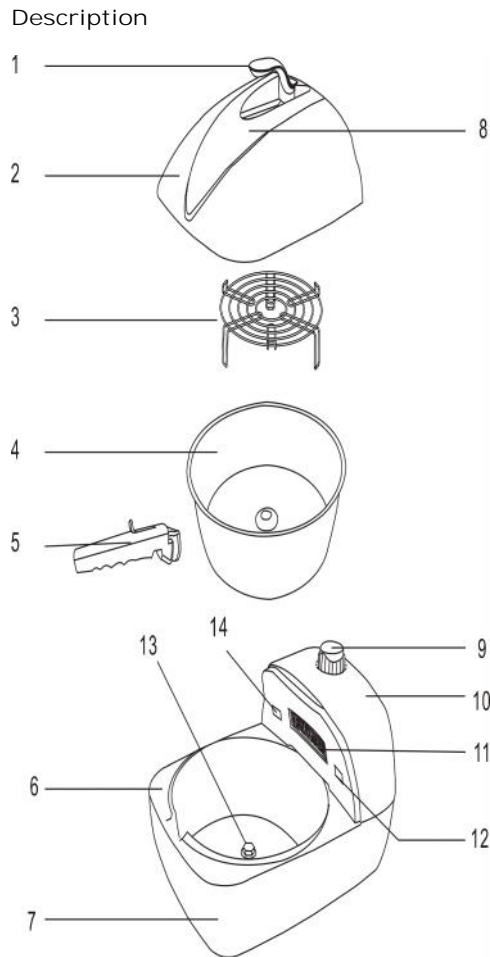
7. Pull the plug out under the conditions hereinafter:
- Out of use
 - Cleaning and maintaining
 - Moving the fryer
 - When the fryer is in problem
8. Stop using the fryer under the conditions hereinafter:
- Fryer/power cord /plug is broken
 - When the function is abnormal the fryer is dropped down and is obviously broken

If the situation above happens, please contact our appointed after-sales service center before you use it again and don't try to repair by yourself.

9. If the power cord or the plug is broken, please contact out appointed after-sales service center and don't repair it by yourself either.
10. Make sure to prevent the fryer away from heater such as electric oven and so on to protect the fryer.
11. Don't immerse the body of the fryer into water.
12. Make sure to use out products on a flat, clean, dry and firm platform.
13. The fryer is expected to cook food, so please don't make it working without food in the pot.
14. This appliance is for domestic use only, any problems caused by business use or inappropriate uses are not in the line of our guarantee.

Be careful of burn!
The cook food is hot. Please be care that it may cause severe damage to children. Follow the below suggestions will do good to prevent from accidents.

- The fryer should be placed away from the edge of the working platform.
- Hide the power cord out of reach of children.
- Please warn children not to touch any hot food or cooking appliance in the kitchen.
- When accident happens, please wash the wound with cold water and ask for a doctor if needed.



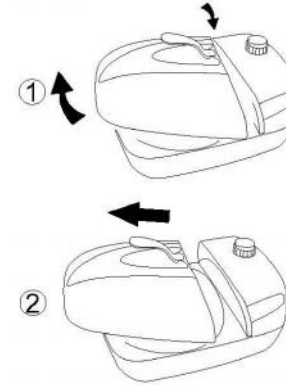
- 1 Lid handle
- 2 Lid
- 3 Grill
- 4 Pan
- 5 Detachable pan handle
- 6 Insulated offer
- 7 Bottom
- 8 Insulation cover

- 9 Knob
- 10 Body
- 11 Draught window
- 12 Working light

- 13 Driven
- 14 Power light

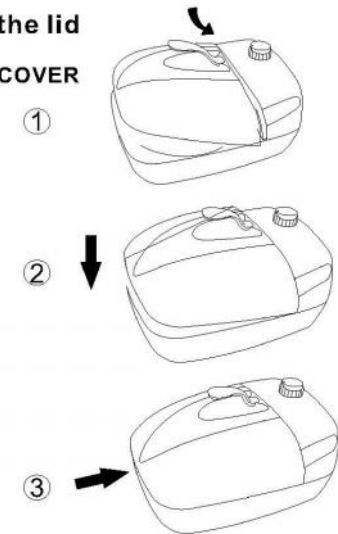
The ways of opening and covering the lid

OPEN



When opening the cover, press the handle part, and open the lid tail together.

COVER



When covering the lid, aiming at the front handle part first, then the cover tail, finally push the cover tail a little bit.

INSTRUCTION MANUAL

Remove all the packing materials and all adhesive marks on the appliance except the rating label, Please refer to the "lid open and close" chapter to learn how to remove the lid.

- Before your formal use, please pour 300-500ml water and boil it for 20 minutes to wash the pan wipe off the plastic smell and impurity, and then wash the pan rotating device separately.
- Picture A: Lid of the pan can't be open upwardly, but 45 degrees towards the body.
- Picture B: Make sure the pan put in the central position and supported by the turret at the bottom.
- Picture C: put the pan in with the handle and then fix the rotating device firmly.

- Picture D: put the food in the pan equally, make sure the line is not over the max line.
- Picture E: close the lid with the closing sound..
- Picture F: move the time switch, the working light on the right will turn on.
- Picture G: a sound will be heard when the food is ready.
- Picture H: open the lid.
- Picture I-J: put the pan out with the pan handle after cooking.
- Picture K: when bake pork chop and beefsteak, their thickness is not over 4cm, Then use the grill in tall side, when the food's thickness is over 4-10cm, then use the grill in low-lying side.
- Picture L: Before place the fryer, you should sure the unit is complete cooling. Pull out the plug.

Food	Weight (g)	Oil (spoon)	Time (minute)	Parts
Fish (massive)	700 Thickness: 20mm	Without	10 minutes for each side	Bottom grill
Beef chop (massive)	700 Thickness: 20mm	Without	5 minutes for both side	Bottom grill
Chicken legs	700	Without	30-35 minutes in one side	Bottom grill
Corn	500	Without	10 minutes for both side	Bottom grill
Pork chop	350	Without	15-20 minutes in one side	Bottom grill
Sausages	300	Without	8 minutes for both side	Bottom grill

The appliances are not intended to be operated by means of an external timer or remote-control system.

Specifications

Power: 1200 W
 Rated Voltage: 220-230 V
 Rated Frequency: 50 Hz
 Rated Current: 5.45 A

1,5

1,5

Set
 DEEP FRYER 1
 INSTRUCTION MANUAL WITH WARRANTY BOOK 1
 PACKAGE 1

Environment friendly disposal
 You can help protect the environment!



Please remember to respect the local regulations: hand in the non-working electrical equipment to an appropriate waste disposal center.

The manufacturer reserves the right to change the specification and design of goods.

RU

"Saturn".

8.

9.

10.

11.

12.

13.

14.

15.

- 2

9.

10.

11.

12.

13.

14.

1.

2.

3.

15.

4.

5.

6.

7.

•
•
•

