

# Saturn<sup>®</sup>

ST-EC0105

FOOD STEAMER

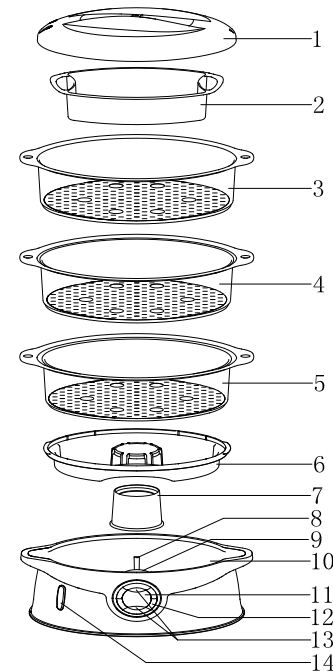
GB

## FOOD STEAMER

Dear Buyer!  
We congratulate you on having bought the device under trade name "Saturn". We are sure that our devices will become essential and reliable assistance in your housekeeping.  
Avoid extreme temperature changes. Rapid temperature change (e.g. when the unit is moved from freezing temperature to a warm room) may cause condensation inside the unit and a malfunction when it is switched on. In this case leave the unit at room temperature for at least 1.5 hours before switching it on. If the unit has been in transit, leave it indoors for at least 1.5 hours before starting operation.

Please follow the instruction for use carefully!  
This appliance produces boiling hot steam!

### Description



1. Lid
2. Rice bowl (1L capacity)  
(Depending on the model)
3. Steam basket No.3
4. Steam basket No.2
5. Steam basket No.1
6. Juice collector
7. Removable turbo ring
8. Inside water level indicator
9. Heating element
10. Water tank ( 1 hour continuous use )
11. Display
12. Button
13. Indicator light
14. Exterior water level indicator

### Safety instructions


1. Check that the power supply voltage corresponds to that shown on the appliance.
2. Do not place the appliance near the hot source, as serious damage could result.
3. Never leave the appliance in operation unattended. Keep away from children.
4. Do not use the appliance if the appliance or the cord is damaged, or the appliance has fallen or shows visible damage or does not work properly.
5. If the supply cord is damaged, it must be replaced by the manufacturer service agent in order to avoid a hazard.
6. Burns can occur when touching the hot surface of the appliance, the hot water, the steam or the food.
7. Never immerse the appliance in water!
8. Do not move the appliance when it is full of liquid or hot foods.
9. Do not touch the appliance when it is steaming and use oven gloves to remove the lid, rice bowl and steamer baskets.
10. Always unplug the appliance immediately after use, when moving it or prior to any cleaning or maintenance.
11. This appliance is not intended for use by persons (including children) with reduced physical, sensory or mental capabilities, or lack of experience and knowledge, unless they have been given supervision or instruction concerning use of the appliance by a person responsible for their safety.

12. Children should be supervised to ensure that they do not play with the appliance.
13. Service life – 4 years.

**Instruction for use**

1. Using warm water and washing up liquid, wash all the removable parts and the inside of the water tank, rinse and dry.
2. Place the base unit on a stable surface, put the turbo ring around the heating element (the largest side on the bottom).
3. Pour the fresh water directly into the water tank up to the maximum level.
4. Put the food on the center of base.
5. Place the baskets on the top of the juice collector, and put the lid on.
6. Plug in and set the time for recommended cooking times (see table of cooking times), the indicator light on and steam cooking has begun.
7. Check the water level by looking the exterior water level indicator, if necessary, add water from the side of juice collector during cooking.
8. The switch off automatically, timer rings and the indicator light off.
9. You can reheat the food, carefully if there is any more water.
10. Remove the lid, place the basket(s) on the plate.
11. Unplug the appliance, let it cool completely before cleaning.

**Electro-panel operation**

1. Put though the power supply, you can see the display showing the time as 



- (1) Press the 'PROG' and buttons at the same time, the buzzer tweets when loosing the buttons.
- (2) Increasing 10 minutes or decreasing 1 minute per each press on '+' button and '-' button accordingly.
- (3) Adjust the clock to the current time, then ending the whole process by press 'PROG' button.
2. Immediate steam mode



(1) Push the button under the clock mode until the display shows



(2) Setting the steaming time by pressing '+' or '-' buttons, increasing or decreasing 5 minutes each press. Press any button and stop the setting

procedure.

(3) The buzzer tweets two seconds without pressing any button after the steaming time is set. The red indicate light brightened at the mean time, that means the start of steaming, and the clock starts to count the time.

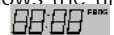
(4) When setting the time as 0, the electric timer will return to clock mode automatically. The maximum steam time is 90 minutes.

(5) When in steaming, you can press '+' or '-' button adjust the steaming



time. Press button to stop steaming and return back to clock mode.

3. Timing steam mode

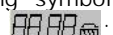
(1) Press PROG under the mode of Clock, there shows the time and PROG on the display 

(2) Booking the time by pressing '+' and '-' buttons, increasing or decreasing 10 minutes each time.

(3) Press 'PROG' button until the display shows 45. Then press '+' and '-' to adjust the steaming time.

(4) Press 'PROG' button again, the display shows the time and PROG, which means entering into the timing steam mode. When it comes into the booking time, the buzzer tweets and the red light lights, and the steamer starts to steam the food according to the set time.

(5) If you want to cancel the timing steam mode, just press the PROG button, it return back to clock mode.

4. When the steaming is finished, it comes into the holding mode directly. The display shows the time and the holding symbol and the green light lights 

Holding mode means warming for 2 minutes per 8 minutes after it stops steaming.



Press button to cancel the holding mode, and it returns back to clock mode.

**Cleaning and maintenance**

1. Empty the water tank and clean it with a damp cloth.
2. All the other removable parts can be put in the dishwasher.
3. Descale the appliance every 8 times.
4. Position the turbo ring upside down around the heating element (the largest side on the upper). Fill the water tank with cold water up to

"MAX" level, fill the inside of the turbo ring with white vinegar to the same level. Do not heat up (to avoid the descaling odor). Leave overnight to descale. Rinse out the inside of water tank with warm water several times.

5. Stack the baskets one to the other following No.1 into No.2, then together into No.3. Put the rice bowl into the Steamer basket No.1. At last place the baskets on the juice collector and put lid over them all.

**Technical Data:**

Power: 800 W  
 Rated Voltage: 220-240 V  
 Rated Frequency: 50 Hz  
 Rated Current: 3.6

|                    |      |   |
|--------------------|------|---|
| Set                |      |   |
| FOOD STEAMER       |      | 1 |
| INSTRUCTION MANUAL | WITH | 1 |
| WARRANTY CARD      |      | 1 |
| RICE BOWL          |      | 1 |
| PACKAG             |      | 1 |

**ENVIRONMENT FRIENDLY DISPOSAL**

You can help protect the environment! Please remember to respect the local regulations: hand in the non-working electrical equipments to an appropriate waste disposal center.

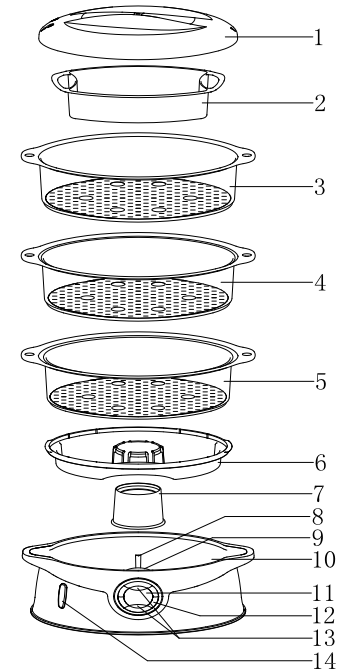


The manufacturer reserves the right to change the specification and design of goods.

**RU**

1,5

1,5



- 1.
2. (1 )
3. No.3
4. No.2
5. No.1
- 6.
- 7.
- 8.
- 9.
10. (1 )

11.  
12.  
13.  
14.

1.

2.

3.

4.

5.

6.

7.

8.

9.

10.

11.

12.

13.

- 4

1.

2.

3.

4.

5.

6.

7.

8.

9.

10.

11.

1.

(1)

(2)

(3)

"PROG",

2.  
(«

(1)

6

88:88

"PROG"



10

"+"

"Immediate steam"



45

(2)

"+"

(3)

(4)

(5)

"-",



3.  
(«

(1)

(2)

(3)

(4)

(5)

4.

PROG

88:88 PROG

10

"PROG",

"+"

PROG,

PROG,

5.

1.

2.

3.

4.

(

5.

3.

:

C

7

88:88

2 - 8



8

"MAX"),

1

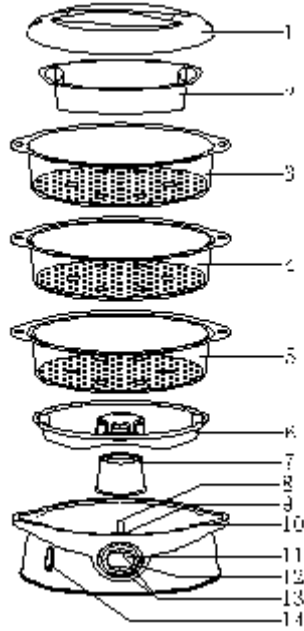
800  
: 220-240  
: 50  
: 3,6 A

1

1

1

1



- 1.
2. ( )
3. No.3
4. No.2
5. No.1
- 6.
- 7.
- 8.
- 9.
10. (1 )
- 11.
- 12.
- 13.
- 14.

- 5.
- 6.
- 7.
- 8.
- 9.
- 10.
- 11.

- 12.
- 13.
- 1.
- 2.
- 3.
- 4.
- 5.
- 6.

i.

- 7.
- 8.
- 9.
- 10.
- 11.

1.

(1)

(2)

(3)

(3)

(4)

(3)

(4)

(5)



"PROG"

"+"

10

"-"

"PROG",

"Immediate steam"



"+" 5

5

0,

- 90

<>

«-»,



3. "Timing steam"

(«

»)

(1) "PROG"

PROG

(2)

"+" "-"

10

(3)

"PROG"

"+" "-"

45.

(4)

"PROG",  
PROG,

(5)

PROG,

4.

- 8

2



5.

1.

2.

3.

8

4.

(

)

(

"MAX"),

10



050



050

# Saturn®

## INTERNATIONAL MANUFACTURER'S WARRANTY

## MEZINÁRODNÍ ZÁRUKA

GB

The Warranty is provided for the period of 2 years or more if the Law on User Right of the country where the appliance was bought provides for a greater minimum warranty period.

All terms of warranty comply with to the Law on Protection of the Consumer Rights and are governed by the legislation of the country where the product was bought.

The warranty and free of charge repair are provided in any country where the product is delivered to by Saturn Home Appliances or authorized representative thereof, and where no restriction of import or other legal provisions interfere with rendering of warranty services and free of charge repair.

Cases uncovered by the warranty and free of charge repair:

1. Guarantee coupon is filled in improperly.
2. The product has become inoperable because of the Buyer's nonobservance of the service regulations indicated in the instruction.
3. The product was used for professional, commercial or industrial purposes (except for the models, specially intended for this purpose that is indicated in the instruction).
4. The product has external mechanical damage or damage caused by penetration of the liquid inside, dust, insects and other foreign objects.
5. The product has damages caused by non-observance of the rules of power supply from batteries, mains or accumulators.
6. The product was exposed to opening, repair or modification of design by the persons, unauthorized to repair; independent cleaning of internal mechanisms etc. was made.
7. The product has natural wear of parts with limited service life, expendables etc.
8. The product has deposits of scale inside or outside of fire-bar elements, irrespective of used water quality.
9. The product has damages caused by effect of high (low) temperatures or fire on non-heat resistant parts of the product.
10. The product has damages of accessories and nozzles which are included into the complete set of product shipment (filters, grids, bags, flasks, cups, covers, knives, sealing rings, graters, disks, plates, tubes, hoses, brushes, and also power cords, headphone cords etc.).
11. A defect was a result of inappropriate installing of the appliance by non-specialists of the supplier's authorized service center.

On the warranty service and repair, please contact the authorized service centers of "Saturn Home Appliances".

CZ

## MEZINÁRODNÍ ZÁRUKA

Záruka se poskytuje na dobu 2 roky. V případě že Zákon na ochranu spotřebitele dané země nařizuje delší dobu, prodlužuje se záruka na tuto dobu.

Veškeré záruční podmínky odpovídají Zákonu o ochraně práv uživatelů a jsou řízeny zákonodárstvím státu, kde byl výrobek koupen.

Záruka a bezplatná oprava se poskytují v každém státě, kam jsou výrobky dodané společností „Saturn Home Appliances“ nebo jejím zmocněným zástupcem a kde nejsou žádná omezení na dovoz nebo jiné právní předpisy omezující poskytnutí záručního servisu a bezplatné opravy.

Případy, na které se záruka a bezplatná oprava nevztahují

1. Záruční list je vyplněn nesprávně.
2. Výrobek byl poškozen kvůli tomu, že zákazník nesplnil pravidla použití, která jsou uvedena v návodu.
3. Výrobek byl používán k profesionálním, komerčním nebo průmyslovým účelům (kromě modelů speciálně určených pro tyto účely, což je uvedeno v návodu).
4. Výrobek má vnější mechanická poškození nebo poškození, vyvolaná tím, že se dovnitř dostala tekutina, prach, hmyz a jiné cizí předměty.
5. Výrobek má poškození, která jsou vyvolaná nesplněním pravidel napájení od baterií, sítí nebo akumulátorů.
6. Výrobek rozebírali, opravovali nebo měnili jeho konstrukci lidé, kteří nebyli zmocněni k opravě, bylo provedeno samostatné úpravy vnitřních mechanismů a podobně.
7. Výrobek má přirozené opotřebování dílů s omezenou dobou použití, spotřebních materiálů atd.
8. Výrobek má vrstvu usazeniny uvnitř nebo zvenku termoelektrických ohřevů, bez ohledu na kvalitu používané vody.
9. Výrobek má poškození, která jsou vyvolána působením vysokých (nízkých) teplot nebo ohněm na termonestabilní části výrobku.
10. Výrobek má poškozené příslušenství a nástavce, které jsou dodané spolu s výrobkem (filtry, síky, sáčky, bafly, mísy, víka, nože, šlehače, struhadla, kotouče, talíře, trubky, hadice, kartáče a také síťové šňůry, sluchátkové šňůry atd.).
11. Vada je důsledkem nesprávné instalace výrobku neoprávněnou osobou.

V otázkách záručního servisu a oprav se obraťte na autorizovanou servisní střediska společnosti „Saturn Home Appliances“.

«Saturn Home Appliances»

- 1.
- 2.
- 3.
- 4.
- 5.
- 6.
- 7.
- 8.
- 9.
- 10.
- 11.

« Saturn Home Appliances» .

: <http://saturn.ua/ru/servis>,  
: 0-800 505-27-09

|           |        |   |   |   | LCD |   |   |
|-----------|--------|---|---|---|-----|---|---|
| 4         | « C »  | 8 (988) 993-37-78                       | + |   | +   | + | + |
| 18        |        | 8 (8553) 32-22-11<br>8 (960) 047-22-11  | + | + | +   | + | + |
| 98        | « » -  | 8 (86133) 6-09-84,<br>8(918) 215-57-75  | + | + | +   | + | + |
| 109       | -      | 8 (86152)<br>2-81-99                    | + | + | +   | + | + |
| 1, 12     | « -29» | 8 (8182) 44-15-55                       | + |   |     |   |   |
| 47        | « »    | 8 (8512) 25-19-39,<br>8 (8512) 25-12-00 | + | + | +   |   |   |
| 54        | " - "  | 8 (8512) 50-19-97                       | + |   | +   |   |   |
| 2, 16, 17 | « »    | 8 (8512) 54-67-67,<br>8 (8512) 54-91-91 |   | + |     | + | + |
| 15        | « »    | 8 (85141) 3-61-25                       | + | + | +   | + | + |
| 32        |        | 8 (927) 552-47-21,<br>8 (937) 122-13-99 |   |   |     | + | + |
| 113       | « »    | 8 (3852) 63-94-02                       | + |   | +   | + | + |
| 25, 9,    |        | 8 (905) 425-60-4-73                     | + | + | +   |   |   |



|            |          |  |   |   |   |   |   |
|------------|----------|--|---|---|---|---|---|
| 37         |          | 8 (8635) 47-47-72                          | + | + | + | + | + |
| 63         | « »      | 8 (86155) 3-11-00,<br>8 (918) 980-64-75    | + | + | + | + | + |
| 18         | " - "    | 8 (3535) 23-23-98,<br>8-922-802-21-58      | + | + | + | + | + |
| 84         |          | 8 (86559) 2-08-02,<br>8 (86559)<br>5-29-71 | + | + | + | + | + |
| 36         | « - »    | 8 (3955) 67-00-44, 8(3955)<br>56-61-93     | + | + | + | + | + |
| 3          | « »      | 8(4832) 63-06-00,<br>8 (4832) 33-15-61     |   | + |   |   |   |
| 173        | « »      | 8 (8442) 97-50-10,<br>8 (960) 883-59-00    |   | + |   |   |   |
| 4          |          | 8 (8442) 98-16-47,<br>8 (8442) 53-06-04    | + | + | + | + | + |
| 11         | « - »    | 8 (8442) 37-16-74,<br>8 (8442) 37-69-03    |   | + |   |   |   |
|            | « »      | 8 (961) 688-53-48                          |   | + |   |   |   |
| 9          |          | 8 (927) 521-52-00                          |   | + |   | + | + |
| 32         |          | 8 (937) 722-68-12                          |   |   |   | + | + |
| 158        |          | 8 (937) 730-66-03                          |   | + |   | + | + |
|            |          | 8 (904) 404-14-55                          |   |   |   | + | + |
| C<br>12/15 | «Master» | 8 (928) 126-63-66                          | + |   | + |   |   |

|           |        |  |   |   |   |   |   |
|-----------|--------|--|---|---|---|---|---|
| 110       | «X »   | 8(8639) 27-80-47                         | + | + | + | + | + |
| 77-<br>65 | « »    | 8 (937) 717-93-36                        | + |   | + |   |   |
| 65        | « »    | 8 (8172) 70-03-45,<br>8 (8172) 54-21-54  | + |   | + | + | + |
| 1         | « »    | 8 (8172) 52-72-51                        | + |   | + |   |   |
| 46        | « »    | 8 (473) 260-09-08,<br>8 (473) 240-57-73  | + |   | + | + |   |
| 13        | « »    | 8 (38822) 6-23-32                        | + |   | + | + | + |
| 48        | « »    | 8 (962) 655-20-00                        | + | + | + | + | + |
| 68        | « »    | 8 (8313) 21-14-14                        | + |   | + |   |   |
| 54        | « »    | 8(8313) 20-56-00                         | + | + | + | + |   |
| 63        | « »    | 8 (84235) 2-86-59,<br>8 (84235) 9-14-64  | + |   | + | + | + |
| 84        | « - »  | 8 (86132) 2-11-71,<br>8 (86132), 3-66-02 | + | + | + | + | + |
| 55        | « »    | 8(86132)5-05-00                          | + | + |   | + | + |
| 64        | « - »  | 8 (343) 240-26-60                        | + |   | + |   |   |
| 7<br>201. | «GOLD» | 8-919-372-28-4                           |   | + |   |   | + |
| 3<br>81,  | « - »  | 8(3955) 67-00-44,<br>8 (3955) 56-61-118  | + |   | + | + | + |

|                    |          |  |   |   |   |   |   |   |
|--------------------|----------|--|---|---|---|---|---|---|
|                    |          | 8(86359) 4-32-23,<br>8 (86359) 4-06-42   |   | + |   |   |   |   |
| 47                 | « »      | 8 (47467) 4-12-08,<br>8 (47467) 4-33-17  | + |   | + |   |   |   |
| 45/6               | « -<br>» | 8 (4932) 335185,<br>8 (4932) 335236      | + | + | + | + | + |   |
| 4                  | « -<br>» | 8 (3412) 30 79-79,<br>8 (3412)30-83-07   | + |   | + | + | + |   |
| 76                 | « -<br>» | 8 (3412) 78-76-85,<br>8 (3412) 78-06-64  | + |   | + | + | + |   |
| 7/1,<br>301, 307   | « -<br>» | 8 (3412) 44-60-40,<br>8 (3412) 44-60-67  |   |   | + |   |   |   |
| « » 7<br>(<br>« ») | «<br>26» | 8 (86545) 2-74-74                        |   |   | + |   |   |   |
| 24                 | « »      | 8 (8362) 24-11-24, 8(8362)<br>25-55-40   | + | + | + | + |   |   |
| 24                 | « »      | 8 (3952) 42-55-76<br>8 (3952) 78-15-83   | + |   | + | + |   |   |
| 56                 | « »      | 8 (3952) 28-74-50,<br>8 (3952) 76-71-75  |   |   | + | + | + |   |
| 183                | « -<br>» | 8 (34551) 7-46-31                        |   |   |   |   |   | + |
| 33                 | -        | 8 (3439) 39-95-20,<br>8 (34399) 34-74-40 | + | + | + | + | + |   |
| 6                  | « »      | 8 (84457) 9-17-43,<br>8 (84457) 9-45-89  | + | + | + | + | + |   |
| 157                |          | 8 (8734) 44-42-44                        | + | + |   | + | + |   |
| 53/2               | -        | 8 (3842) 35-39-67                        | + |   |   | + |   |   |

|            |          |   |   |   |   |   |   |  |
|------------|----------|---|---|---|---|---|---|--|
| 17         | « »      | 8 (87239) 2-33-55,<br>8 (87239) 3-01-77                       | + | + | + | + | + |  |
| 42         | « -<br>» | 8 (8332) 56-25-95,<br>8 (8332) 54-70-77                       | + |   | + | + |   |  |
| 9          | -        | 8 (988) 548-24-36   | + |   | + |   |   |  |
| 9          | -        | 8-928-172-52-26   |   |   | + |   |   |  |
| 2,         |          | 8 (86142) 4-43-59   | + | + | + | + | + |  |
| 1          | «<br>»   | 8-918-936-36-53   |   |   | + | + | + |  |
| 3          | -        | 8(861) 267-50-88  | + | + | + | + | + |  |
| 103,<br>55 | « - - »  | 8 (861) 222-64-13,<br>8 (861) 222-85-55,<br>8 (905) 408-08-38 | + | + | + | + | + |  |
| 106        | «<br>»   | 8 (86156) 3-40-40,<br>8-918-990-35-04                         | + |   | + | + |   |  |
| 42/2       |          | 8 (918) 041-31-04,<br>8(86131) 71-2-72                        |   |   | + |   | + |  |
| 116        |          | 8 (86164) 7-01-22   |   |   | + |   |   |  |
| 57         | « -<br>» | 8 (86145) 3-78-74   |   |   | + |   | + |  |
|            | «<br>»   | 8 (86164) 65-4-95,<br>8-918-355-81-70                         | + | + |   | + | + |  |

|      |       |   |   |   |   |   |   |  |
|------|-------|---|---|---|---|---|---|--|
| 25   |       |   |   |   |   |   |   |  |
|      |       | 8 (86153) 4-16-70                       |   | + |   |   |   |  |
|      | « - » | 8 (86151) 4-33-54,<br>8 (918) 464-00-86 | + | + |   | + | + |  |
|      | « »   | 8 (3912) 92-92-22,<br>8 (3912) 41-78-88 | + | + | + | + | + |  |
|      | « - » | 8 (3912) 93-54-33,<br>8 (3912) 94-52-82 | + | + | + | + | + |  |
| 36   | « + » | 8 (4712) 50-85-90,<br>8 (4712) 35-04-91 | + | + | + | + |   |  |
|      | « »   | 8 (86169) 7-39-99,<br>8 (86169) 7-24-96 | + | + | + | + | + |  |
| 66   | « »   | 8 (4742) 33-45-65,<br>8 (4742) 33-45-95 | + | + | + | + | + |  |
| 25   | « - » | 8 (8772) 55-62-38                       | + | + | + | + | + |  |
|      | « »   | 8 ( 8722) 93-30-73                      | + | + | + | + | + |  |
|      | « »   | 8 (86385) 2-33-26,<br>8 (960) 458-07-11 | + | + |   | + | + |  |
|      | «X »  | 8-909-401-35-21                         | + | + | + | + | + |  |
| 1534 | « - » | 8 (499) 717-82-07,<br>8 (499) 717-82-12 | + |   | + | + | + |  |

|    |       |       |   |   |   |   |   |   |
|----|-------|-------|---|---|---|---|---|---|
|    | 3     | « »   | 8 (495) 721-30-70,<br>8 (499) 168-05-19,<br>8 (499) 168-47-15 | + |   | + | + | + |
|    | 20    | « »   | 8 (8552) 35-90-02,<br>8 (8522) 35-90-42                       | + | + | + | + | + |
|    | 24    | « - » | 8 (8662) 42-04-30,<br>8 (8662) 42-12-21                       | + |   | + | + |   |
|    | 55    | « »   | 8 (86554) 5-59-77,<br>8 (86554) 3-67-57                       | + | + | + | + | + |
|    | 10    | « - » | 8 (34783) 3-43-44   | + | + | + | + | + |
|    | 9     | « »   | 8 (8555) 48-08-80,<br>8-917-906-60-06                         | + |   | + | + | + |
|    | 18    | « »   | 8 (831) 46-18-848   |   | + |   |   | + |
| 6  |       | « »   | 8 (831) 46-18-848   |   | + |   |   | + |
|    | 18    | « »   | 8 (3843) 20-31-33   | + |   | + | + | + |
|    | 21/27 | « »   | 8 (48762) 6-46-46   | + | + | + | + | + |
|    | 14    | « - » | 8 (8617) 6311-15,<br>8 (8617) 63-03-95                        | + | + | + | + | + |
|    | 17    | « - » | 8 (383)274-99-33,<br>8 (383) 274-99-45                        | + |   | + |   |   |
|    | 3     | « »   | 8 (383) 210-59-49,<br>8 (383) 210-52-92                       | + |   | + | + |   |
| 24 |       |       | 8 (86369) 3-74-75,<br>8 (928) 609-35-85                       | + | + | + |   |   |
|    | 4     |       | 8 (3532) 36-87-94   | + |   |   | + | + |

|      |        |   |   |   |   |   |   |   |   |
|------|--------|---|---|---|---|---|---|---|---|
| 194  | « »    | 8 (3812) 36-74-01                       |   |   |   |   |   |   | + |
| 130  | « - »  | 8 (3812) 36-42-02                       | + | + | + | + |   |   |   |
| , 2  | « - +» | 8 (3537) 33-84-43,<br>8 (3537) 35-13-18 | + | + | + | + |   |   | + |
| .11  | « - »  | 8 (3537) 35-79-93                       | + | + | + | + |   |   | + |
| , 2  | « »    | 8 (8412) 26-09-60,<br>8 (8412) 26-12-29 | + |   |   | + | + |   | + |
| , 3, | « - »  | 8 (342) 221-40-99                       | + | + | + | + |   |   | + |
| , 11 | « - »  | 8 (342) 240-93-35,<br>8 (342) 240-93-24 |   |   | + |   |   |   |   |
| , 11 | « - »  | 8 (8142) 78-06-93,<br>8 (8142) 70-65-48 | + |   |   | + |   |   |   |
| 39-5 |        | 8 (3846) 69-33-00                       | + | + | + | + |   |   | + |
| , 11 | « »    | 8 (8112)-53-86-30,<br>8 (8112) 53-86-50 | + |   |   | + |   |   |   |
| , 12 |        | 8-928-225-95-85                         |   |   | + |   |   | + | + |
| 5-3  | « »    | 8 (8793) 98-70-11                       | + | + | + | + |   |   | + |
| 50   |        | 8 (47396) 48-911                        | + | + | + | + |   |   | + |
| 37   | « - »  | 8 (863) 250-47-77                       | + |   |   | + |   |   |   |
| .7   | « - »  | 8 (863) 227-60-90,<br>8 (863) 299-00-50 | + | + | + | + |   |   | + |
| 50-  | « »    | 8 (863) 21-92-112,<br>8-800-100-51-52   | + | + | + | + |   |   | + |

|              |          |   |   |   |   |   |   |   |   |
|--------------|----------|---|---|---|---|---|---|---|---|
| 1/52, 55     |          |   |   |   |   |   |   |   |   |
| ,11 /        |          | 8 (906) 453-35-81                       | + |   |   |   |   | + |   |
| ,12          | « - »    | 8 (4855) 22-04-77,<br>8 (4855) 25-38-60 | + | + | + | + |   |   | + |
| 14           | « »      | 8 (86370) 2-19-50                       | + | + | + | + |   |   | + |
| , 12         | « »      | 8 (4855) 22-04-77,<br>8 (4855) 25-38-60 | + | + | + | + |   |   | + |
| , 21         | « »      | 8 (4855) 24-31-21                       | + | + | + | + |   |   | + |
| .1 14,       | « - »    | 8 (4912) 76-88-01,<br>8 (4912) 40-30-30 | + | + | + | + |   |   | + |
| , 42         | « - »    | 8 (4912) 41-33-02                       | + | + | + | + |   |   | + |
| 100/ ,56     | « - »    | 8 (846) 990-37-51,<br>8 (846) 240-98-17 | + |   |   | + | + |   | + |
| e , 197      | « - XXI» | 8 (812) 600-11-97                       | + | + | + | + |   |   |   |
| e , 41,      | « - »    | 8 (812) 325-36-56,<br>8 (812) 325-36-57 | + |   |   | + | + |   |   |
| e , 11, 36 , | 95» « -  | 8 (812) 822-18-00,<br>8 (812) 320-06-61 | + |   |   |   |   |   |   |

|        |           |   |   |   |   |   |   |   |
|--------|-----------|---|---|---|---|---|---|---|
| 1      | « - »     | 8 (8342) 23-05-91,<br>8 (8342) 47-48-59 | + | + | + |   |   |   |
| 95     | « - »     | 8 (8452) 52-81-21,<br>8 (8452) 52-83-84 | + | + | + | + | + |   |
| 167/1  |           | 8 (951)-522-38-11                       | + | + | + | + | + |   |
| 253    | « »       | 8 (496) 547-04-95,<br>8 (496) 549-32-79 | + | + |   | + | + |   |
| 7      | " -S"     | 8-963-624-49-46                         |   |   |   | + | + | + |
| 44     | « »       | 8 (4812) 45-05-13,<br>8-920-333-09-44   | + | + | + | + | + |   |
| 90     | « »       | 8 (8622) 55-51-19,<br>8 (8622) 55-01-08 | + |   |   |   | + | + |
| 63     | « »       | 8 (8652) 24-30-14,<br>8 (8652) 23-31-81 | + | + | + | + | + |   |
| 15, 21 | « »       | 8 (8652) 95-53-68,<br>8 (8652) 95-61-90 |   |   |   | + |   |   |
| 1      | « - »     | 8 (4725) 24-62-27,<br>8 (4725) 24-73-49 | + | + | + |   |   |   |
| 158    | « - »     | 8 (3473) 20-12-13,<br>8 (3473) 20-27-70 | + |   |   | + | + | + |
| 25     | « »       | 8 (8212) 22-95-29,<br>8 (8212) 29-12-20 | + | + | + | + | + |   |
| 137    | 2000» « - | 8 (4752) 56-19-42,<br>8 (4752) 56-19-44 | + | + | + | + | + |   |

|            |       |   |   |   |   |   |   |   |
|------------|-------|---|---|---|---|---|---|---|
| 24/2       |       | 8 (86130) 4-86-59,<br>8-(918) 147-02-03                       | + | + |   |   | + | + |
| 2/2        | « - » | 8 (86196) 7-20-53   | + | + | + | + | + |   |
| 48         | « +»  | 8 (8482) 22-72-41,<br>8 (8482) 22-71-85,<br>8 (8482) 61-65-64 | + | + | + | + | + |   |
| 58         | « -2» | 8 (3822) 56-23-35,<br>8 (3822) 48-08-80                       | + |   |   | + |   |   |
| 137        | « - » | 8 (4872) 31-12-57   | + | + | + | + | + |   |
| 55         | « »   | 8 (3452) 47-35-69   | + |   |   | + | + | + |
| 28         | « »   | 8 (3012) 21-89-63   | + |   |   | + | + | + |
| 16/7       | « - » | 8 (8422) 73-44-22,<br>8 (8422) 73-29-19                       | + | + |   |   | + | + |
| 378        | « - » | 8 (87875) 7-44-82   | + | + | + | + | + |   |
| 6/1        | « - » | 8 (347) 236-57-07   | + |   |   | + |   |   |
| 148        | « - » | 8 (3472) 77-12-62   | + |   |   | + |   |   |
| 153, 42, 7 | « »   | 8 (347) 279-90-70,<br>8 (347) 241-62-02                       |   |   |   |   |   | + |
| 15         | « - » | 8 (86391) 2-18-06   | + |   |   | + |   |   |
| 36         | « »   | 8 (8352) 62-30-97,<br>8 (4942) 63-20-98                       | + |   |   | + |   |   |

|          |   |   |   |   |   |   |   |
|----------|---|---|---|---|---|---|---|
| 8        | - | 8 (351) 239-39-34,<br>8 (351) 239-39-35 | + | + | + | + | + |
| 18       | « | 8 (8202) 54-31-88                       | + |   | + | + | + |
| 340 «    | » | 8 (8782) 27-30-60,<br>8 (8782) 27-70-77 | + | + | + | + | + |
| 48, 11   | « | 8 (8782) 25-04-66,<br>8 (8782) 25-19-15 | + | + | + | + | + |
| 33       | « | 8 (3022) 36-39-36,<br>8 (3022) 36-39-32 | + | + | + | + | + |
| 1        |   | 8 (904)-345-83-18                       | + | + | + | + | + |
| 3-<br>21 | « | 8 (84722) 9-52-07,<br>8 (937) 469-52-07 | + | + | + | + | + |
| 57       | « | 8 (8453) 55-80-89,<br>8 (964) 848-45-06 | + |   | + | + | + |
| 12       | « | 8 (4852) 25-94-83                       | + |   | + |   |   |

UA

2

«Saturn Home Appliances»

- 1.
- 2.
- 3.
- 4.
- 5.
- 6.
- 7.
- 8.
- 9.
- 10.
- 11.

« Saturn Home Appliances» .

: <http://saturn.ua>,

0-800 502-502

|           |            |  |              |   |   |   |   |   |   |   |   |  |  |  |
|-----------|------------|--|--------------|---|---|---|---|---|---|---|---|--|--|--|
|           |            |  |              |   |   |   |   |   |   |   |   |  |  |  |
|           | ,36        | (06442)-91137,<br>.0990521001                                    | Hi-Fi<br>( ) | + | + | + | + | + | + | - | + |  |  |  |
|           | ,42        | (06274)-49128,<br>0627449129                                     | -            | + | + | + | + | + | + | - | + |  |  |  |
| 50-<br>82 | ,          | (04563)-68413  | -            | + | + | + | + | + | + | - | + |  |  |  |
|           | ,          | (0456)-333295,<br>(0456)-309400,<br>.094-9299400                 | -            | - | + | + | + | + | + | - | - |  |  |  |
|           | ,57        | (04143)-40636  | " -<br>"     | + | + | + | - | + | + | + | + |  |  |  |
|           | 43         | (03141)-43432  | " -<br>"     | + | + | + | + | - | - | - | - |  |  |  |
|           | .50<br>,51 | (0432)-699573  |              | + | + | + | + | + | + | + | + |  |  |  |
|           | ,3         | (0432)-642457,<br>(0432)-642622                                  |              | - | + | + | - | - | - | - | - |  |  |  |
|           | ,1         | (0432)-509191,<br>(0432)-579191,<br>.066-3509191<br>.096-0509191 | -            | + | + | + | + | + | + | - | + |  |  |  |
| - .       | ,16        | (0432)-464393,<br>(0432)-468213,<br>(0432)-519254                | -            | + | + | + | + | + | + | + | + |  |  |  |
|           | ,43        | .067-7899525   | -            | + | + | + | - | - | - | - | - |  |  |  |
|           | ,          | (05653)-52771  |              | + | + | + | + | + | + | + | + |  |  |  |

|     |          |                                 |               |   |   |   |   |   |   |   |   |  |  |  |
|-----|----------|---------------------------------|---------------|---|---|---|---|---|---|---|---|--|--|--|
|     | ,62-     |                                 |               |   |   |   |   |   |   |   |   |  |  |  |
|     | ,59      | (0562)-350409,<br>(0562)-346705 |               | + | + | + | + | + | + | - | + |  |  |  |
| 6   | ,        | (056)-7356328,<br>(056)-7356325 | -             | + | + | + | + | + | + | - | + |  |  |  |
|     | ,46-     | (056)-7854002,<br>.067-5071964  | -             | - | + | + | + | + | + | + | - |  |  |  |
|     | ,41-     | (056)-7900460                   | -             | + | + | + | + | + | + | - | + |  |  |  |
|     | ,129-    | .066-2493639                    | -             | + | + | + | - | - | - | - | + |  |  |  |
|     | ,1       | .066-5082652,<br>.096-7232447   | -             | + | + | + | + | + | + | + | + |  |  |  |
|     | ,188     | (062)-3450607                   | -             | + | + | + | + | + | + | - | + |  |  |  |
|     | ,24      | (0412)-470742                   | C<br>( -<br>) | - | - | + | + | + | - | - |   |  |  |  |
|     | ,8       | (0412)-471568,<br>.067-4115812  | -<br>(" ")    | + | + | + | - | - | - | + |   |  |  |  |
|     | ,175     | (061)-7875051,<br>(0612)-639790 |               | + | + | + | + | + | + | + | + |  |  |  |
|     | ,83      | (0612)-120303                   | -             | + | + | + | + | - | - | + |   |  |  |  |
|     | ,50      | (061)-2209764,<br>(061)-2209765 | -<br>-        | + | + | + | + | + | + | - | + |  |  |  |
| 223 | ,        | (0342)-756040,<br>(0342)-712813 |               | + | + | + | + | + | + | - | - |  |  |  |
|     | ,559525, | (0342)-559525,                  |               | + | + | + | + | - | - | - |   |  |  |  |

|           |   |                         |   |   |   |   |   |   |   |   |
|-----------|---|-------------------------|---|---|---|---|---|---|---|---|
| . , 19-   | (0342)-750777   |                         |   |   |   |   |   |   |   |   |
| . , 2     | .067-3248218  | " "                     | + | + | + | + | + | + | + | + |
| . , 76    | (04597)-57393   | " "                     | + | + | + | - | - | - | - | - |
| . , 161   | .067-3248401,<br>.067-3248365,<br>(04736)-62949   | « -<br>-<br>»           | + | + | + | + | + | + | + | + |
| . , 16    | (044)-4269198,<br>(044)-3629198   | " "                     | + | + | - | - | - | - | - | + |
| . , 55    | (044)-3641463,<br>(044)-4086660,<br>(044)-4972936,<br>(044)-4973455,<br>(044)-4973619,<br>(044)-4086658,<br>(044)-4086659 | -<br>-<br>- + + + + + - | - | + | + | + | + | + | + | - |
| . -<br>1- | (044)-5911190   | " "                     | + | + | + | + | + | + | + | + |
| . , .15   | (06561)-62102,<br>.096-3852181  |                         | + | + | + | - | - | - | - | + |
| . , 2     | (0522)-357923,<br>(0522)-278002,<br>(0522)-273300   |                         | + | + | + | + | + | - | - | + |
| . , 1-    | (0522)-272840,<br>(0522)-277667   | -<br>-<br>(<br>- )      | + | + | + | + | + | + | + | + |
| . , 13    | .097-7766770<br>.097-2642167  |                         | + | + | + | + | + | + | + | + |
| . , 10    | (06272)-26223,<br>(06272)-22186,<br>.050-2796816  | ( )                     | + | + | + | - | - | - | - | - |

|              |   |             |   |   |   |   |   |   |   |   |
|--------------|---|-------------|---|---|---|---|---|---|---|---|
| . , 2-       | (04142)-50504                                     | " "         | - | + | + | + | + | + | + | + |
| . , 7        | .050-5260668                                      | -           | + | + | + | + | + | + | + | + |
| . , 3        | (06264)-59389                                     |             | + | + | + | + | - | + | - | - |
| . 20<br>8    | .050-9732014                                      | -           | + | + | + | + | + | - | + | + |
| . , 5-       | (0626)-412134,<br>.067-2557990                    |             | + | + | + | + | + | + | + | + |
| . , 44,<br>2 | (05366)-39192                                     |             | + | + | + | + | + | + | + | + |
| . , 42       | (056)-4013356,<br>(056)-4040080,<br>(056)-4746103 | " -<br>"    | + | + | + | - | + | + | - | - |
| . , 73       | (056)-4400764                                     | " "         | + | + | + | + | + | - | + | + |
| . , 64/7     | (056)-4400779                                     |             | + | + | + | + | + | - | + | + |
| . , 9        | (056)-4092302,<br>(056)-4092303                   | (<br>-<br>) | + | + | + | + | + | + | + | + |
| . , 81       | 050-2149173,<br>.066-017-02-03                    |             | + | + | + | + | + | + | + | + |
| . , 96-      | (0642)-330242,<br>(0642)-331186,<br>.095-3868985  | " "         | + | + | + | + | + | + | + | + |
| . , 49-      | (0642)-505783,<br>.095-3624248                    |             | + | + | + | + | + | + | + | + |
| . ,          | .066-0640564,<br>.050-5809230                     | -           | - | - | - | + | - | - | - | - |



|                  |   |                      |  |  |  |  |  |  |  |  |
|------------------|---|----------------------|--|--|--|--|--|--|--|--|
| . ,61            |   |                      |  |  |  |  |  |  |  |  |
| 1 . ,            | (06434)-26025,<br>.099-2710147                                      | -<br>-               |  |  |  |  |  |  |  |  |
| . ,1             | (0332)-290752   | " -<br>"             |  |  |  |  |  |  |  |  |
| . ,15-           | (0332)-779955,<br>.097-0482596                                      | -                    |  |  |  |  |  |  |  |  |
| . 15-            | (032)-2445340,<br>(032)-2445344                                     |                      |  |  |  |  |  |  |  |  |
| . ,2             | (032)-2471499   | -                    |  |  |  |  |  |  |  |  |
| . ,28            | (032)-2395152,<br>(032)-2395577,<br>(032)-2955028,<br>(032)-2955029 | " -<br>"             |  |  |  |  |  |  |  |  |
| . 116            | (032)-2458052   | " -<br>"             |  |  |  |  |  |  |  |  |
| . ,242           | (0623)-225550,<br>.066-1032288,<br>.097-7768120                     |                      |  |  |  |  |  |  |  |  |
| . ,50-<br>,32\18 | (0629)-496005,<br>(0629)-493006                                     |                      |  |  |  |  |  |  |  |  |
| . ,227           | (0629)-473000,<br>.098-3122628,<br>.095-0282628                     | " -<br>"<br>( -<br>) |  |  |  |  |  |  |  |  |
| . ,84            | (0629)-491881,<br>.067-5975615                                      |                      |  |  |  |  |  |  |  |  |
| . ,42            | (0619)-444400   | -                    |  |  |  |  |  |  |  |  |

|             |   |                 |  |  |  |  |  |  |  |  |
|-------------|---|-----------------|--|--|--|--|--|--|--|--|
|             |   | ( -<br>)        |  |  |  |  |  |  |  |  |
| . ,51-      | (04337)-64847,<br>(0432)-468213                                   | -               |  |  |  |  |  |  |  |  |
| . ,46       | (03131)-37337,<br>(03131)-37336,<br>.099-7974430,<br>.097-3423551 |                 |  |  |  |  |  |  |  |  |
| . ,33       | (0512)-470496,<br>(0512)-478348                                   | " "             |  |  |  |  |  |  |  |  |
| . ,2        | (0512)-580647   |                 |  |  |  |  |  |  |  |  |
| . ,49       | (0512)-582180,<br>067-5170570,<br>.066-7056444                    | " "             |  |  |  |  |  |  |  |  |
| . ,97,<br>2 | (05662)-41503,<br>.099-0743553                                    | " -<br>"<br>( ) |  |  |  |  |  |  |  |  |
| . ,189      | (0566)-688563,<br>.0505800296                                     |                 |  |  |  |  |  |  |  |  |
| . ,25       | (0566)-687014   | -               |  |  |  |  |  |  |  |  |
| . ,38       | .095-7247266  | -               |  |  |  |  |  |  |  |  |
| . ,38       | (04141)-52010   | " "             |  |  |  |  |  |  |  |  |
| . ,90       | (048)-7001737<br>(048)-7874579                                    |                 |  |  |  |  |  |  |  |  |
| . ,         | (0482)-390618,<br>.094-8390619                                    |                 |  |  |  |  |  |  |  |  |

|         |  |   |   |   |   |   |   |   |   |   |   |   |   |   |   |   |   |   |   |
|---------|--|---|---|---|---|---|---|---|---|---|---|---|---|---|---|---|---|---|---|
| 55      |  |   |   |   |   |   |   |   |   |   |   |   |   |   |   |   |   |   |   |
| , 27    | (048)-7229779<br>(048)-7712538,<br>(048)-7227066                 | - | - | + | + | + | + | + | + | + | + | + | + | + | + | + | + | + | + |
| 2 (66)  | (048)-7317703,<br>(048)-7317704                                  |   |   | + | + | + | - | - | - | - | - | - | - | - | - | - | - | - | - |
| 172-    | (05632)-61554,<br>(05632)-62342                                  |   |   | + | + | + | + | + | + | + | - | - | - | - | - | - | - | - | - |
| 75      | .096-2840836,<br>.066-0857539                                    | - | - | + | + | + | + | + | + | + | + | + | + | + | + | + | + | + | + |
| , 29    | (0532)-694262,<br>.099-601424                                    |   |   | + | + | + | + | + | + | + | + | + | + | + | + | + | + | + | + |
| , 120   | (0532)-509889,<br>.050-0137217                                   |   |   | + | + | + | + | + | + | + | - | - | - | - | - | - | - | - | - |
| , 66    | (0532)-615621  | - | - | + | + | + | + | + | + | + | + | + | + | + | + | + | + | + | + |
| , 64    | .099-4243675   | - | - | + | + | + | + | + | + | + | + | + | + | + | + | + | + | + | + |
| , 101/1 | (04637)-38595,<br>.095-8862199,<br>.063-5974127,<br>.067-2725751 | - | - | - | + | + | + | + | + | + | + | + | + | + | + | + | + | + | + |
| , 12    | (0362)-266585  | - | - | + | + | + | + | + | + | + | - | - | - | - | - | - | - | - | - |
| , 55    | (0362)-436452,<br>(0362)-635489,<br>.067-2385635                 | - | - | + | + | + | + | + | + | + | + | + | + | + | + | + | + | + | + |
| , 12    | .097-7804458   | - | - | + | + | + | + | + | + | + | - | - | - | - | - | - | - | - | - |

|        |                                  |       |       |   |   |   |   |   |   |   |   |   |   |   |   |   |   |   |   |
|--------|----------------------------------|-------|-------|---|---|---|---|---|---|---|---|---|---|---|---|---|---|---|---|
| , 5    | (0362) 43-33-40,<br>.067-3604242 |       |       | + | + | + | + | + | + | + | + | + | + | + | + | + | + | + | + |
| , 14   | (06563)-22183,<br>.050-9045717   | -     | -     | + | + | + | + | + | + | + | + | + | + | + | + | + | + | + | + |
| 1      | (06434)-26025,<br>.099-2710147   | -     | -     | + | + | + | + | + | + | + | + | + | + | + | + | + | + | + | + |
| , 26-  | (0692)-555643<br>(0692)-453699   |       |       | + | + | + | + | + | + | + | + | + | + | + | + | + | + | + | + |
| , 24   | (06452)-50533,<br>.050-6037272   | -     | -     | + | + | + | + | + | + | + | + | + | + | + | + | + | + | + | + |
| , 17/1 | (0652)-522771,<br>(0652)-544573  | " - " | " - " | + | + | + | + | + | + | + | - | - | - | - | - | - | - | - | - |
| , 72   | (0652)-690778                    | -     | -     | + | + | + | + | + | + | + | + | + | + | + | + | + | + | + | + |
| , 32   | (04733)-46182                    | -     | -     | + | + | + | + | + | + | + | + | + | + | + | + | + | + | + | + |
| , 1    | (06444)-40289,<br>.066-1053966   | -     | -     | + | + | + | + | + | + | + | - | - | - | - | - | - | - | - | - |
| , 171- | (03245)-58381                    | -     | -     | + | + | + | - | - | - | - | - | - | - | - | - | - | - | - | - |
| , 19   | .096-3400696                     |       |       | + | + | + | + | + | + | + | + | + | + | + | + | + | + | + | + |
| , 2    | .067-3576378,<br>.050-5124887    | " "   | " "   | + | + | + | + | + | + | + | + | + | + | + | + | + | + | + | + |
| , 1/24 | (04744)-46614,<br>(04744)-46134  | " "   | " "   | + | + | + | - | - | - | - | - | - | - | - | - | - | - | - | - |

|             |  |          |   |   |   |   |   |   |   |   |
|-------------|--|----------|---|---|---|---|---|---|---|---|
| 3/2         | (0312)-654266,<br>.099-5575307                                     | -        | + | + | + | + | + | + | + | + |
| ,3          | (057)-7349724,<br>(057)-7125181                                    |          | + | + | + | + | - | + | - |   |
| ,12         | (057)-7171339,<br>(057)-7021620                                    | -        | + | + | + | + | + | + | + | + |
| ,18<br>(42) | .096-5953746   | "        | + | + | + | - | - | + | + |   |
| ,25         | (057)-7513432,<br>(057)-7643383,<br>.067-5757009                   |          | - | - | - | + | + | - | - |   |
| ,35         | (0552)-420235  | -        | - | - | - | + | - | - | - |   |
| ,28-        | (0552)-434040,<br>.050-4946043                                     |          | + | + | + | + | + | + | + | + |
| ,23         | (0552)-296042  |          | + | + | + | + | + | + | + | + |
| ,7          | (0382)-664501,<br>.0630750889                                      | -        | + | + | + | - | - | + | + |   |
| ,2          | (0382)-704700,<br>(0382)-704707,<br>(03822)-664616                 | -        | + | + | + | + | + | - | - |   |
| ,18         | (0382)-783773,<br>(0382)-783755                                    |          | + | + | + | + | + | + | + | + |
| 146,<br>102 | (0472)-563478,<br>(0472)-500354,<br>(0472)-564216,<br>.096-5056363 | "        | + | + | + | + | + | + | + | + |
| ,71         | (0472)-314657,<br>(0472)-565621                                    | " -<br>" | + | + | + | - | - | - | + |   |
| 77-         | (0462)-601585  | " "      | + | + | + | + | + | - | - |   |

|       |  |          |   |   |   |   |   |   |   |   |
|-------|--|----------|---|---|---|---|---|---|---|---|
| ,1    |  |          |   |   |   |   |   |   |   |   |
| ,265- | (0372)-584301,<br>(0372)-584249                  | " "      | + | + | + | + | + | - | + |   |
| ,101  | (0372)-571204,<br>.066-6604161                   | -        | + | + | + | + | + | + | + | + |
| ,105  | (0372)-554869,<br>.050-4345529                   |          | + | + | + | - | + | + | + |   |
| ,3    | (03840)-40017,<br>.067-3601632                   |          | + | + | + | + | + | + | + | + |
| ,3    | (0654)-343051,<br>(0654)-343160,<br>.095-7307151 | " -<br>" | + | + | + | + | + | - | + |   |

GB

## WARRANTY COUPON

When purchasing the product,  
please require its checking before you;

### BE SURE

that the goods sold to you, are functional and complete  
and that the warranty coupon is filled in correctly.

This warranty coupon confirms the absence of any defects in the product you purchased and provides for free of charge repair of the product failed through the fault of the manufacturer throughout the period of warranty service and free of charge repair.

Failing the presentation of this coupon, in case of its improper filling in, infringement of factory seals (if any), and also in cases indicated in the warranty obligations, the claims are not accepted, and no warranty service and free of charge repair is made!

The warranty coupon is valid only in the original copy with the stamp of trading organization, signature of the seller, date of sale and signature of the buyer.

Complex home appliances should be installed by supplier's authorized service centers, authorized specialists. In the case of a malfunction of the home appliance because of incorrect installation, the buyer must pay the cost of the visit (call) of the specialist, as well as the cost of fault diagnostics if necessary.

CZ

## ZÁRUČNÍ LIST

Při koupi výrobku  
žádejte o jeho vyzkoušení ve Vaší přítomnosti,

### PŘESVĚDČTE SE

že Vám prodaný výrobek je dobře fungující a kompletní  
a že záruční list je vyplněn správně.

Tento záruční list potvrzuje, že na Vámi koupeném výrobku nejsou žádné vady a zajišťuje bezplatnou opravu nefungujícího přístroje z viny výrobce, během celé záruční doby.

Bez předložení tohoto listu, při jeho nesprávném vyplnění, porušení plomb výrobce (jsou-li na výrobku) a také v případech, které jsou uvedené v záručním listě, nároky se nepřijímají a záruční oprava se neprovádí!

Záruční list je platný jenom jako originál s razítkem obchodní organizace, podpisem prodávajícího, termínem prodeje a podpisem zákazníka.

Instalace komplexní spotřebiče musí být provedena autorizovaným servisním střediskem, specialistou. V případě poruchy v důsledku nesprávné instalace výrobku, kupující je povinen uhradit náklady na výjezd (volání) odborný, pokud je to nezbytné, a náklady na diagnostiku poruch.

RU

UA

# Saturn®

## WARRANTY COUPON ZÁRU NÍ LIST

SATURN HOME APPLIANCES S.R.O. KON VOVA 141, 13083  
PRAHA 3 – ŽIŽKOV, ESKÁ REPUBLIKA, TEL: + 4202/ 67 108 392

|                                      |   |  |
|--------------------------------------|---|--|
| Model/                               |   |  |
| Serial number/Sériové číslo/         | / |  |
| Date of sell/Termin prodeje/         | / |  |
| Shop stamp/Razítko obchodu/          | / |  |
| Seller's signature/Podpis prodava e/ | / |  |

Buyer's Signature confirming the acquaintance and consent with terms of free of charge maintenance service of the product, and absence of the complaints on appearance and color of the product.  
Podpis zákazníka, potvrzující seznámení a souhlas s podmínkami Bezplatného záru ního servisu výrobku, a také neexistence nárok na výšek a barvu výrobku.

### ВІДМІТКИ ПРО ВСТАНОВЛЕННЯ ВИРОБУ\*

| Дата встановлення | Назва організації, СЦ | № наряду | ПІБ та підпис майстра | ПІБ та підпис споживача** |
|-------------------|-----------------------|----------|-----------------------|---------------------------|
|                   |                       |          |                       |                           |

\*Побутові прилади, для введення в експлуатацію котрих необхідні установочні, монтажні роботи, повинні вводиться в експлуатацію уповноваженими спеціалістами сервісних центрів постачальника. В разі виникнення несправності виробу з причини некоректної установки виробу може бути знятий з гарантійного обслуговування, а покупець повинен сплатити вартість візду (виклику) фахівця, а в разі необхідності і вартість діагностування несправності.

### ВІДМІТКИ ПРО ПРОВЕДЕННЯ СЕРВІСНОГО ОБСЛУГОВУВАННЯ

| Дата прийому в ремонт | Заявлений споживачем недолік | № наряду | Назва організації, СЦ | Перелік виконаних робіт | Перелік встановлених замчастих | Дата завершення ремонту | ПІБ та підпис майстра     |  |
|-----------------------|------------------------------|----------|-----------------------|-------------------------|--------------------------------|-------------------------|---------------------------|--|
|                       |                              |          |                       |                         |                                |                         | ПІБ та підпис споживача** |  |
|                       |                              |          |                       |                         |                                |                         |                           |  |
|                       |                              |          |                       |                         |                                |                         |                           |  |
|                       |                              |          |                       |                         |                                |                         |                           |  |
|                       |                              |          |                       |                         |                                |                         |                           |  |
|                       |                              |          |                       |                         |                                |                         |                           |  |
|                       |                              |          |                       |                         |                                |                         |                           |  |
|                       |                              |          |                       |                         |                                |                         |                           |  |
|                       |                              |          |                       |                         |                                |                         |                           |  |
|                       |                              |          |                       |                         |                                |                         |                           |  |
|                       |                              |          |                       |                         |                                |                         |                           |  |
|                       |                              |          |                       |                         |                                |                         |                           |  |
|                       |                              |          |                       |                         |                                |                         |                           |  |
|                       |                              |          |                       |                         |                                |                         |                           |  |
|                       |                              |          |                       |                         |                                |                         |                           |  |

\*\* Підпис споживача свідчить про приймання виробу в робочому стані.

**ОТМЕТКИ ОБ УСТАНОВКЕ ИЗДЕЛИЯ\***

|                |                          |          |                             |
|----------------|--------------------------|----------|-----------------------------|
| Дата установки | Название организации, СЦ | № наряда | ФИО и подпись мастера       |
|                |                          |          | ФИО и подпись потребителя** |
|                |                          |          |                             |

\*Бытовые приборы, для ввода в эксплуатацию которых необходимы установочные, монтажные работы, должны вводиться в эксплуатацию уполномоченными специалистами сервисных центров поставщика. В случае возникновения неисправности по причине некорректной установки, изделие может быть снято с гарантийного обслуживания, а покупатель должен оплатить стоимость выезда (вызова) специалиста, а в случае необходимости и стоимость диагностики неисправности.

**ОТМЕТКИ О ПРОВЕДЕНИИ СЕРВИСНОГО ОБСЛУЖИВАНИЯ**

| Дата приема в ремонт | Заявленный потребителем недостаток | № наряда | Название организации, СЦ | Перечень выполненных работ | Перечень установленных запчастей | Дата завершения ремонта | ФИО и подпись мастера<br>ФИО и подпись потребителя** |
|----------------------|------------------------------------|----------|--------------------------|----------------------------|----------------------------------|-------------------------|--|
|                      |                                    |          |                          |                            |                                  |                         |  |
|                      |                                    |          |                          |                            |                                  |                         |  |
|                      |                                    |          |                          |                            |                                  |                         |  |
|                      |                                    |          |                          |                            |                                  |                         |  |
|                      |                                    |          |                          |                            |                                  |                         |  |
|                      |                                    |          |                          |                            |                                  |                         |  |
|                      |                                    |          |                          |                            |                                  |                         |  |
|                      |                                    |          |                          |                            |                                  |                         |  |
|                      |                                    |          |                          |                            |                                  |                         |  |
|                      |                                    |          |                          |                            |                                  |                         |  |

\*\* Подпись потребителя свидетельствует о приеме изделия в рабочее состояние.

**NOTES ABOUT THE INSTALLATION OF THE DEVICE\***

|                   |                                      |          |  |
|-------------------|--------------------------------------|----------|--|
| Installation date | Name of organization, Service Center | Order No | Master's surname, name, patronymic and signature   |
|                   |                                      |          | Client's surname, name, patronymic and signature** |
|                   |                                      |          |  |

\* Household appliances for commissioning of which installation and mounting works are required should be commissioning by the supplier's authorized service center specialists. In the case of a malfunction of the product because of incorrect installation, the product may become invalid for warranty service, and the buyer must pay the cost of the visit (call) of the specialist, as well as the cost of fault diagnostics if necessary.

**NOTES ABOUT CARRYING OUT OF SERVICE MAINTENANCE**

| Date of receipt for repair | Client's declared problem | Order No | Name of organization, SC | List of performed work | List of installed spare parts | The repair end date | Master's surname, name, patronymic and signature   |
|----------------------------|---------------------------|----------|--------------------------|------------------------|-------------------------------|---------------------|--|
|                            |                           |          |                          |                        |                               |                     | Client's surname, name, patronymic and signature** |
|                            |                           |          |                          |                        |                               |                     |  |
|                            |                           |          |                          |                        |                               |                     |  |
|                            |                           |          |                          |                        |                               |                     |  |
|                            |                           |          |                          |                        |                               |                     |  |
|                            |                           |          |                          |                        |                               |                     |  |
|                            |                           |          |                          |                        |                               |                     |  |
|                            |                           |          |                          |                        |                               |                     |  |
|                            |                           |          |                          |                        |                               |                     |  |
|                            |                           |          |                          |                        |                               |                     |  |
|                            |                           |          |                          |                        |                               |                     |  |
|                            |                           |          |                          |                        |                               |                     |  |

\*\* Client's signature certifies about the appliance's receipt at the working condition.

# Saturn®

Model/ / .....

Date of sale/ / .....

Serial number/ / .....

Name of the Trade company and Stamp/ / .....

... / Stamp

Customer's address, phone#, name, surname/ / .....

Date of Receiving/ / .....

Date of Return/ / .....

Defect / / .....

Stamp of the Service Center, signature/ / .....

... / Stamp

COUPON 1

# Saturn®

Model/ / .....

Date of sale/ / .....

Serial number/ / .....

Name of the Trade company and Stamp/ / .....

... / Stamp

Customer's address, phone#, name, surname/ / .....

Date of Receiving/ / .....

Date of Return/ / .....

Defect / / .....

Stamp of the Service Center, signature/ / .....

... / Stamp

COUPON 2

# Saturn®

Model/ / .....

Date of sale/ / .....

Serial number/ / .....

Name of the Trade company and Stamp/ / .....

... / Stamp

Customer's address, phone#, name, surname/ / .....

Date of Receiving/ / .....

Date of Return/ / .....

Defect / / .....

Stamp of the Service Center, signature/ / .....

... / Stamp

COUPON 3