

# **Saturn<sup>®</sup>**

**ST-CM0168**

**COFFEE MAKER**



**GB**

## Coffee Maker

**Dear Buyer!**

**We congratulate you on having bought the device under trade name «Saturn». We are sure that our devices will become safe and reliable assistance in your housekeeping.**

**Avoid extreme temperature changes. Rapid temperature change (e.g. when the unit is moved from freezing temperature to a warm room) may cause condensation inside the unit and a malfunction when it is switched on. In this case leave the unit at room temperature for at least 1.5 hours before switching it on.**

**If the unit has been in transit, leave it indoors for at least 1.5 hours before starting operation.**

### **Important Safeguards:**

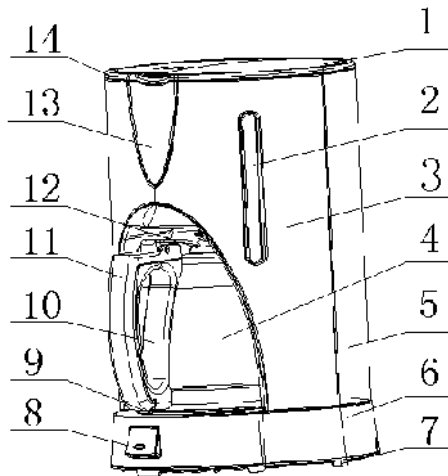
When using electrical appliances, basic safety precautions should always be followed to reduce the risk of fire, electrical shock and/or personal injury.

1. Read all instructions.
2. Make sure that your outlet voltage corresponds to the voltage stated on the rating label of the coffee maker.
3. Do not touch hot surface. Use handles or knobs only.
4. Do not immerse appliance, cord or plug in water or other liquid.
5. Close adult supervision is necessary when appliance is used by or near children.
6. Unplug from outlet when not in use and before cleaning. Allow to cool before putting on or taking off parts and before cleaning the appliance.
7. Do not place the appliance on or near a hot gas or electric burner or on a heated oven.
8. Do not operate any appliance with a damaged cord or plug, or after the appliance malfunctions, or has been damaged in any manner. Return appliance to the nearest authorized service facility for examination, repair or adjustment. If its mains cord is damaged, to prevent from risks, it must be replaced by the manufacturer, the nearest service agent or a qualified person.
9. Do not use accessories not recommended by the appliance manufacturer. It may result in fire, electric shock and/or personal injury.

10. Do not let cord hang over edge of table or counter, or touch hot surface.
11. To disconnect, remove plug from wall outlet. Always hold the plug. But never pull the cord.
12. Be careful not to get burned by the steam. Scalding may occur if the lid is removed during the brewing cycles.
13. Never use your coffee maker without water in it.
14. Stand the appliance on a table or flat surface.
15. Do not use appliance for other than intended use.
16. Do not use outdoors.
17. Save these instructions.

#### Household use only

#### Know your coffee maker:



1. Tank cover
2. Water gauge
3. Main housing
4. Glass carafe
5. Water tank
6. Bottom base
7. Feet
8. Switch button
9. Insulating ring
10. Carafe handle
11. Carafe handle cover
12. Carafe lid
13. Spout
14. Tundish bracket

#### Before your first use:

Check that the accessories are complete and the unit is not damaged. Then do not place into coffee ground, brew clean water up to MAX mark according to the steps below for one or two times, then pour out. Clean all detachable parts thoroughly with warm water.

#### Operation instruction:

- 1) Open the tank cover of coffee maker, fill proper amount of water into tank. The water level should be between the maximum and minimum level.
- 2) Place the funnel into the funnel support, make sure it is assembled correctly. Place a permanent filter in the funnel.
- 3) Add coffee ground into filter. Usually a cup of coffee needs a level spoon of coffee ground, but you may adjust according to you taste properly.

- 4) Let the coffee ground distribute evenly by shaking lightly the funnel.
- 5) Place the glass carafe on insulating ring.
- 6) Plug the power cord into the outlet, pressing the switch to “I” position, the switch indicator will be illuminated, the appliance will be begin working. If you want to stop the appliance, only press the switch to “O” position, the appliance will stop working. The appliance will continue working once pressing the switch to “I” position again.

**Note:** You can take out glass carafe, pour and serve at any time. The appliance will stop dripping automatically. But the time cannot exceed 30 seconds.

- 7) When the tank is empty, you can unplug the power cord from the outlet and take out glass carafe, pour and serve (about one minute later after the coffee stops dripping out.)

**Note:** the coffee you get will be less than the water you have inputted in, as some water is absorbed by coffee ground.

- 8) The coffee can be kept warm in the glass carafe, suggest that the time of keeping warm is not more than 1 hour. For an optimum coffee taste, serve it just after brewing.
- 9) Always turn the coffee maker off and unplug the power cord from the electrical outlet when the coffee maker is not in use.

**Note:** pay attention to pour the coffee out, otherwise you may be hurt as the temperature of coffee just finished is high.

#### CLEANING AND MAINTENANCE:

**CAUTION:** be sure to unplug this appliance and cool down before cleaning. To protect against electrical shock, do not immerse cord, plug or unit in water or liquid. After each use, always make sure plug is first removed from wall outlet.

- 1) Clean the funnel, filter, glass carafe after each use in hot, sudsy water.
 

**Note:** when cleaning the glass carafe, turn off the carafe lid, fill the glass carafe with water and then discarding the water, repeat for several times. Wiping the outer surface with a soft cloth, never use abrasive cleaner.
- 2) Wipe the product’s exterior surface with a soft, damp cloth to remove stains.
- 3) Water droplets may buildup in the area above the filter and drip onto the product insulating plate during brewing. To control the dripping, wipe off the area with a clean, dry cloth after each use of the product.

#### CLEANING MINERAL DEPOSITS

To keep your coffee maker operating efficiently, you should clean away the mineral deposits left by the water regularly according to the water quality in your area and the frequency using the appliance, the detail is as follows: fill the glass carafe with one part of white vinegar and three parts of cold water, pour the water and vinegar mixture into the water tank, do not add coffee ground, brew the water-vinegar solution per “operation instruction”, repeat it until no yellow liquid comes out if necessary, then

pour out the mixture, brewing with tap water until no vinegar odor is left.

RU

### Technical Data:

Power: 1000 W  
Rated Voltage: 220-230 V  
Rated Frequency: 50 Hz  
Rated Current: 4.54

### Set

Coffee maker 1  
Instruction manual 1  
Warranty book 1  
Package 1

### ENVIRONMENT FRIENDLY DISPOSAL



#### You can help protect the environment!

Please remember to respect the local regulations: hand in the non-working electrical equipments to an appropriate waste disposal center.

The manufacturer reserves the right to change the specification and design of goods.

!

“Saturn”.

,

.

( , )

1,5 .

, 1,5 .

,

1.

2.

3.

4.

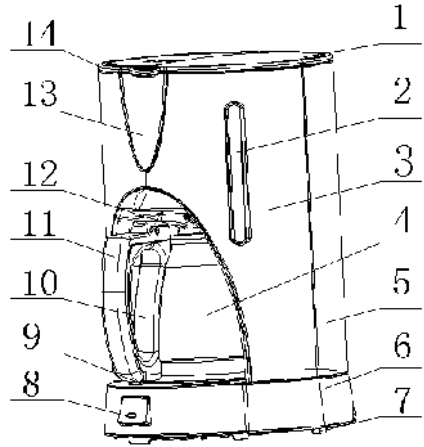
5.

6.

7. ( , )

8. , ,

- 9.
- 10.
- 11.
- 12.
- 13.
- 14.
- 15.
- 16.



- 1.
- 2.
- 3.
- 4.
- 5.
- 6.
- 7.
- 8.
- 9.
- 10.
- 11.
- 12.
- 13.
- 14.

- 1)
- 2)
- 3)

- 4)
- 5)
- 6)

7)

8)

4)

- 2)
- 3)

" "

"I"

30

(

).

:

:

( ).

1/4

3/4

"I".

U

: 1000  
: 220-230  
: 50  
: 4,54 A

1 .  
1 .  
1 .  
1 .



!

“Saturn”.

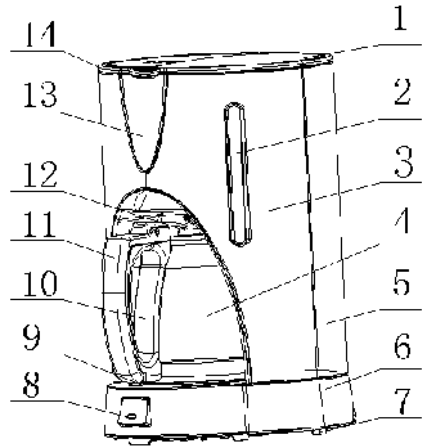
( , )

1,5

1,5

- 1.
- 2.
- 3.
- 4.
- 5.
- 6.
- 7.
- 8.
- 9.
- 10.

- 12
- 13
- 14
- 15
- 16



- 1.
- 2.
- 3.
- 4.
- 5.
- 6.
- 7.
- 8.
- 9.
- 10.
- 11.
- 12.
- 13.
- 14.

- 1)
- 1)
- 2)
- 3)

- 4)
- 5)
- 6)

- 7)

- 8)

- 1)

- 2)
- 3)

1/4

3/4

( )

: 1000  
: 220-230  
: 50  
: 4.54 A

1 .  
1 .  
1 .  
1 .

