

Saturn[®]

ST-EC0191

COOKING PLATE

GB
COOKING PLATE

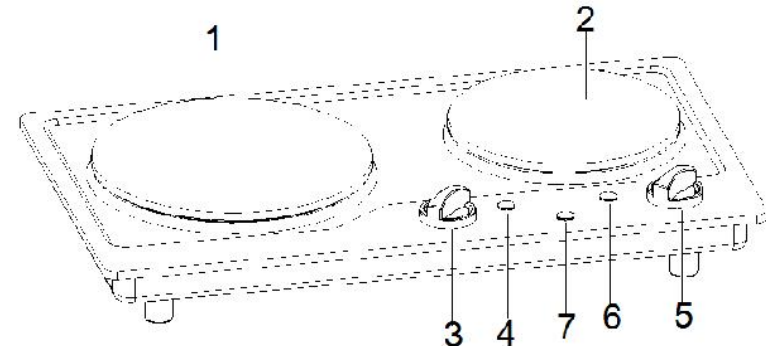
Dear Buyer!
We congratulate you on having bought the device under trade name "Saturn". We are sure that our devices will become essential and reliable assistance in your housekeeping.
Avoid extreme temperature changes. Rapid temperature change (e.g. when the unit is moved from freezing temperature to a warm room) may cause condensation inside the unit and a malfunction when it is switched on. In this case leave the unit at room temperature for at least 1.5 hours before switching it on.
If the unit has been in transit, leave it indoors for at least 1.5 hours before starting operation.

IMPORTANT SAFEGUARDS
When using electrical appliances, basic safety precautions should always be followed to reduce the risk of fire, electric hazard and injury.
•Read all instructions.
•Do not touch hot surfaces.
•To protect against electrical shock, do not place this unit in water or other liquid. (See instructions for cleaning.)
•Close supervision is necessary when any appliance is used near children.
•Do not use appliance unattended.
•Unplug from outlet when not in use and before cleaning. Turn control to the

"OFF" position before unplugging. Allow the appliance to cool before cleaning it.
•Do not operate any appliance with a damaged cord or plug or after the appliance malfunctions, or if it has been damaged in any manner. Return the appliance to the authorized service facility for examination, repair or adjustment.
•To reduce the risk of injury, use only accessory attachments recommended by the manufacturer.
•Do not use outdoors or in a damp area.
•Do not let cord hang over the edge of a table or counter, or touch hot surfaces.
•Always attach plug to the appliance first, then plug cord into a wall outlet. To disconnect, turn any control to the "OFF" position, then remove the plug from the wall outlet.
•Do not use the appliance except as intended.
•This appliance is not intended for use by persons (including children) with reduced physical, sensory or mental capabilities, or lack of experience and knowledge, unless they have been given supervision or instruction concerning use of the appliance by a person responsible for their safety.
•Children should be supervised to ensure that they do not play with the appliance.
SAVE THESE INSTRUCTIONS
THIS PRODUCT FOR HOUSEHOLD USE ONLY
Service life – 4 years.



OUTLOOK



1-Larger hotplate (1500W)
2-Smaller hotplate (1000W)
3-Temperature control for larger hotplate
4-Function indicator for larger hotplate

5-Temperature control for smaller hotplate
6-Function indicator for smaller hotplate
7-Power indicator

INTERNATIONAL MANUFACTURER'S WARRANTY

The Warranty is provided for the period of 2 years or more if the Law on User Right of the country where the appliance was bought provides for a greater minimum warranty period.

All terms of warranty comply with to the Law on Protection of the Consumer Rights and are governed by the legislation of the country where the product was bought.

The warranty and free of charge repair are provided in any country where the product is delivered to by Saturn Home Appliances or authorized representative thereof, and where no restriction of import or other legal provisions interfere with rendering of warranty services and free of charge repair.

Cases uncovered by the warranty and free of charge repair:

1. Guarantee coupon is filled in improperly.
2. The product has become inoperable because of the Buyer's nonobservance of the service regulations indicated in the instruction.
3. The product was used for professional, commercial or industrial purposes (except for the models, specially intended for this purpose that is indicated in the instruction).
4. The product has external mechanical damage or damage caused by penetration of the liquid inside, dust, insects and other foreign objects.
5. The product has damages caused by non-observance of the rules of power supply from batteries, mains or accumulators.
6. The product was exposed to opening, repair or modification of design by the persons, unauthorized to repair; independent cleaning of internal mechanisms etc. was made.
7. The product has natural wear of parts with limited service life, expendables etc.
8. The product has deposits of scale inside or outside of fire-bar elements, irrespective of used water quality.
9. The product has damages caused by effect of high (low) temperatures or fire on non-heat resistant parts of the product.
10. The product has damages of accessories and nozzles which are included into the complete set of product shipment (filters, grids, bags, flasks, cups, covers, knives, sealing rings, graters, disks, plates, tubes, hoses, brushes, and also power cords, headphone cords etc.).
11. A defect was a result of inappropriate installing of the appliance by non-specialists of the supplier's authorized service center.

On the warranty service and repair, please contact the authorized service centers of "Saturn Home Appliances".

MEZI NÁRODNÍ ZÁRUKA

Záruka se poskytuje na dobu 2 roky. V případě že Zákon na ochranu spotřebitele dané země na izuje delší dobu, prodlužuje se záruka na tuto dobu.

Všecké záruční podmínky odpovídají Zákonu o ochraně práv uživatelů a jsou řízené zákonodárstvím státu, kde byl výrobek koupen.

Záruka a bezplatná oprava se poskytují v každém státě, kam jsou výrobky dodané společností „Saturn Home Appliances“ nebo jejím zmocněným zástupcem a kde nejsou žádná omezení na dovoz nebo jiné právní předpisy omezující poskytnutí záručního servisu a bezplatné opravy.

Případy, na které se záruka a bezplatná oprava nevztahují

1. Záruční list je vyplněn nesprávně.
2. Výrobek byl poškozen kvůli tomu, že zákazník nesplnil pravidla použití, která jsou uvedena v návodu.
3. Výrobek byl používán k profesionálním, komerčním nebo průmyslovým účelům (kromě modelů speciálně určených pro tyto účely, což je uvedeno v návodu).
4. Výrobek má větší mechanická poškození nebo poškození, vyvolaná tím, že se dovnitř dostala tekutina, prach, hmyz a jiné cizí předměty.
5. Výrobek má poškození, která jsou vyvolaná nesplněním pravidel napájení od baterií, sítě nebo akumulátorů.
6. Výrobek rozebírali, opravovali nebo měnili jeho konstrukci lidé, kteří nebyli zmocněni k opravě, bylo provedeno samostatné čištění vnitřních mechanismů a podobně.
7. Výrobek má přirozené opotřebení dílů s omezenou dobou použití, spotřebních materiálů atd.
8. Výrobek má vrstvu usazeniny uvnitř nebo zvenku termoelektrických ohřevů, bez ohledu na kvalitu používané vody.
9. Výrobek má poškození, která jsou vyvolána působením vysokých (nízkých) teplot nebo ohněm na termonestabilní části výrobku.
10. Výrobek má poškození přislouženství a nástavce, které jsou dodané spolu s výrobkem (filtry, síky, sádky, mýsy, víka, nože, šlehače, struhadla, kotouče, talíře, trubky, hadice, kartáče a také síťové šňůry, sluchátkové šňůry atd.).
11. Vada je důsledkem nesprávné instalace výrobku neoprávněnou osobou.

V otázkách záručního servisu a oprav se obraťte na autorizovanou servisní středisko společnosti „Saturn Home Appliances“.

«Saturn Home Appliances»

- 1.
- 2.
- 3.
4. ()
- 5.
- 6.
- 7.
- 8.
9. ()
10. ()
11. ()

« Saturn Home Appliances» .

: <http://saturn.ua/ru/servis>,
: 0-800 505-27-09

					LCD		
.4	" "	. . 8-988-993-37-78	+		+	+	+
.18		. 8(8553) 32-22-11, . 8-960-047-22-11	+	+	+	+	+
109	-	. 8(86152)2-81-99	+	+	+	+	+
.1, 12 .1,	" -29"	. 8(8182) 44-15-55	+				
.47	« »	.8(8512)25-19-39, .8(8512) 25-12-00	+	+	+		
.54	" "	.8(8512)50-19-97	+		+		
16, 2 .77	" "	.8(8512)54-67-67, .8(8512)54-91-91		+		+	+
.15	" "	. 8(85141) 3-61-25	+	+	+	+	+
.8	" "	. .8-927-565-11-56	+	+	+	+	+
.32		. . 8-927-552-47-21, . 8-937-122-13-99				+	+
.4 a	- "	.8 (39151) 5-90-94, . . 8-983-158-21-94	+			+	+
.113	" "	.8(3852) 63-94-02	+		+	+	+
.114	" "	.8(3852) 20-25-52, .8(3852) 69-60-09		+			+
.25 .9,		. .8-905-425-60-4-73	+	+	+		
.37		. 8(8635) 47-47-72, . 8(8635) 47-47-72	+	+	+	+	+

79 2	" - "	. .8-980-521-76-16	+					
.63	""	. 8(86155)3-11-00, . .8-918-980-64-75	+	+	+	+	+	
.63	"Radmond"	. 8(4162)21-00-88, . 8(4162) 54-01-23	+					
.36	" "	. 8(4832) 68-71-75	+	+	+	+	+	
.3	" "	. 8(4832) 63-06-00, . 8(4832) 33-15-61		+				
.18	" "	. 8(3535) 23-23-98, . .8-922-802-21-58	+	+	+	+	+	
.84		. 8(86559) 2-08-02, . 8(86559)5-29-71	+	+	+	+	+	
.1		. .8-928-92-00-497, . 8 (86559) 2-07-17						+
.136/4	-ise	. .8-964-013-00-59	+	+	+	+	+	
.39	" "	. 8(4922) 44-72-80, . 8(4922) 44-72-81	+	+	+	+	+	
.173	« »	. 8(8442) 97-50-10, . 8-960-883-59-00		+				
.4		. 8(8442) 98-16-47, . 8(8442) 53-06-04	+	+	+	+	+	
.11	" - "	. 8(8442) 37-16-74, . 8(8442) 37-69-03		+				
	" "	. .8-961-688-53-48		+				
.9		. .8-927-521-52-00		+		+	+	
.32		. .8-937-722-68-12					+	+

.158		. .8-937-730-66-03		+		+	+	
		. .8-904-404-14-55					+	+
.12/15	"Master"	. .8-928-126-63-66	+		+			
.110	"X "	. .8-961-41-001-71, . .8-918-500-54-99	+	+	+	+	+	
.1	" "	. 8(8172) 52-72-51	+		+			
.46	" "	. 8(473) 260-09-08, . 8(473) 240-57-73	+		+	+		
.12-15	" "	. .8-920-436-08-52, . .8-960-131-17-99		+				
.13	" "	. 8(38822) 6-23-32	+		+	+	+	
.48	" "	. .8-962-655-20-00	+	+	+	+	+	
.308		. .8-962-753-67-67	+					
.17	« »	. (8712) 22-49-21, . 8-928-001-33-03	+	+	+	+	+	
.68	" "	. 8(8313) 21-14-14	+		+			
.54	" "	. 8(8313) 20-56-00	+	+	+	+		
.63	" "	. 8(84235) 2-86-59, . 8(84235) 9-14-64	+		+	+	+	
.84	" "	. 8(86132) 2-11-71, . 8(86132) 3-66-02	+	+	+	+	+	
.55	« »	. 8(86132)5-05-00	+	+		+	+	

81,	3	" "	8(343) 361-11-77, 8(343) 361-11-78	+		+	+	+
64		" "	8(343)240-26-60	+		+		
7,	201	"GOLD"	8-919-372-28-04			+		+
31,	2	" "	(343)385-12-89	+	+	+	+	+
	47	" "	8(47467) 4-12-08, 8(47467) 4-33-17	+		+		
22			8(86359) 4-32-23, 8(86359) 4-06-42			+		
45/6		" - "	8(4932) 335185, 8(4932) 335236	+	+	+	+	+
(« » 7 « »)		« 26»	8(86545) 2-74-74			+		
	4	" - "	8(3412) 30-79-79, 8(3412) 30-83-07	+		+	+	+
76		" - "	8(3412) 78-76-85, 8(3412) 78-06-64	+		+	+	+
7/1, 307	301,	" - "	8(3412) 44-60-40, 8(3412) 44-60-67			+		
24		" "	8(8362) 24-11-24, 8(8362) 25-55-40	+	+	+	+	
24		" "	8(3952) 42-55-76, 8(3952) 78-15-83	+		+	+	
	56	" "	8(3952) 28-74-50, 8(3952) 76-71-75			+		+
183		« » -	8(34551) 7-46-31					+

9		"VIP-SERVIS"	8(843) 258-92-15	+		+	+	
100,	45	" "	8(843) 240-64-94	+	+	+	+	+
163		"1000 "	8(4012) 58-83-54, 8(4012) 76-04-77	+		+		
33		-	8(3439) 39-95-20, 8(34399)34-74-40	+	+	+	+	+
	6	" "	8(84457) 9-17-43, 8(84457) 9-45-89	+	+	+	+	+
157			8(8734) 44-42-44	+	+		+	+
53/2		-	8(3842) 35-39-67	+			+	
	17	" "	8(87239)2-33-55, 8(87239)3-01-77	+	+	+	+	+
42		" - "	8(8332) 56-25-95, 8(8332) 54-70-77	+		+	+	
96			8(86393) 2-10-43			+		
9		-	8-988-548-24-36	+		+		
	2,	" "	8(86142)4-43-59	+	+	+	+	+
1		" "	8-918-936-36-53			+		+
	3	-	8(861) 267-50-88	+	+	+	+	+
55	103,	" - - "	8(861) 222-64-13, 8(861) 222-85-55, 8-905-408-08-38	+	+	+	+	+
	16		(861) 235-49-68	+	+	+	+	+
1\1		" - "	8-918-102-00-10, 8-961-501-92-22	+	+	+	+	+

106	" "	. 8(86156) 3-40-40, . 8-918-990-35-04	+		+	+		
116		. 8(86164) 7-01-22		+				
.57	" "	. 8(86145) 3-78-74		+				+
.25	" "	. 8(86164) 65-4-95, . 8-918-355-81-70	+	+			+	+
.1		. 8(86153) 4-16-70		+				
.242, .1		. 8(86 151) 4-10-92	+	+	+	+	+	+
.6	" "	. 8(3912) 92-92-22, . 8(3912) 41-78-88	+	+	+	+	+	+
.1	" "	. 8(3912) 93-54-33, . 8(3912) 94-52-82	+	+	+	+	+	+
.36- .37-	" +"	. 8 (4712) 50-85-90, . 8 (4712) 35-04-91	+	+	+	+		
.5	" "	. 8 (4712) 51-45-75	+	+	+	+	+	+
.17	" "	. 8 (4712) 54-74-24	+	+	+	+	+	+
.2	" "	. 8 (86169) 7-39-99, . 8(86169) 7-24-96	+	+	+	+	+	+
.66	" "	. 8(4742) 33-45-65, . 8(4742) 33-45-95	+	+	+	+	+	+
.25	" "	. 8 (8772) 55-62-38		+				+
164	" "	. 8(8722) 93-30-73	+	+	+	+	+	+

14-	-ise	. 8(8722) 63-23-94, . 8(8722) 93-55-15	+	+	+	+	+	
.11	" "	. 8(86385) 2-33-26, . 8-960-458-07-11	+	+			+	+
.9	"X "	. 8-909-401-35-21	+	+	+	+	+	+
(. . .) .3	" "	. 8(495) 721-30-70, . 8(499) 168-05-19, . 8(499) 168-47-15	+			+	+	+
(30/05) .20	" "	. 8(8552) 359002, . 8(8522) 359042	+	+	+	+	+	+
.154 (52/28)	"VIP-SERVIS"	. 8(8552) 99-91-45	+	+	+	+	+	+
.24	" "	. 8(8662) 42-04-30, . 8(8662) 42-12-21	+			+	+	
.55	" "	. 8(86554) 5-59-77, . 8(86554) 3-67-57	+	+	+	+	+	+
.10	" "	. 8(34783) 3-43-44	+	+	+	+	+	+
(" ") .9	" "	. 8(8555) 48-08-80, . 8-917-906-60-06	+			+	+	+
.51	" - "	. 8 (831) 220-84-94, . 8 (831) 413-82-91	+			+		
.18	" "	. 8(831) 46-18-848		+				+
.6	" "	. 8(831) 46-18-848		+				+
.18	" "	. 8 (3843) 20-31-33	+			+	+	+
.21/27	" "	. 8 (48762) 6-46-46	+	+	+	+	+	+
.14	" "	. 8(8617) 63-11-15, . 8(8617) 63-03-95	+			+	+	
.17	" - "	. 8(383)274-99-33, . 8(383) 274-99-45	+			+		

3, 63,	" "	. 8(383) 210-59-49, . 8(383) 210-52-92	+		+	+		
, 2	" "	8 (383) 351-39-19	+		+			
. 24		. 8(86369) 3-74-75, . 8-928-609-35-85	+	+	+			
. 4		. 8 (3532) 36-87-94	+			+	+	
. 5- . 1	" - "	. 8 (3812) 577-092, . 8 (3812) 576-329	+		+			
. 194	« » -	. 8(3812) 36-74-01						+
130	" "	. 8(3812)36-42-02	+	+	+	+		
. 25	" - +"	. 8(3537) 37-23-83	+	+	+	+	+	
. 11	" -	. 8(3537) 35-79-93, . 8(3537) 20-60-70	+	+	+	+	+	
. 11	" -	. 8(3537) 35-79-93, . 8-987-796-00-19	+	+	+	+	+	
. 3,	" - "	. 8 (342) 221-40-99	+	+	+	+	+	
19, 1	" "	. 8(342)240-88-88, . 8(342)205-57-88	+	+	+	+	+	
. 11	" "	. 8(342)240-93-35, . 8(342)240-93-24			+			
. 11	" - "	. 8(8142) 78-06-93, . 8(8142) 70-65-48	+		+			
. 39-5		. 8(3846) 69-33-00	+	+	+	+	+	
. 11	" "	. 8 (8112)-53-86-30, . 8 (8112)-53-86-50	+		+			
. 5- . 13	" "	. 8(8793) 98-70-11, . 8-918-743-69-46	+	+	+	+	+	
. 50		. 8(47396) 48-911	+	+	+	+	+	

. 18		. 8(47396) 47-676	+	+	+	+	+	
. 37	" "	. 8(863) 250-47-77	+		+			
. 7	" - "	. 8(863) 227-60-90, . 8(863) 299-00-50	+	+	+	+	+	
. 50- 1/52, 55	" "	. 8 (863) 21-92-112, . 8-800-100-51-52	+	+	+	+	+	
. 11 /17		. 8-906-453-35-81	+		+			
. 14	" "	. 8(86370) 2-19-50	+	+	+	+	+	
. 12	" "	. 8(4855) 22-04-77, . 8(4855) 25-38-60	+	+	+	+	+	
. 21	" "	. 8(4855) 24-31-21	+	+	+	+	+	
. 14, . 1	« » -	. 8(4912) 76-88-01, . 8(4912) 40-30-30	+	+	+	+	+	
. 42	« » -	. 8(4912) 41-33-02	+	+	+	+	+	
. 100 . 56	" - "	. 8(846) 990-37-51, . 8(846) 240-98-17	+	+	+	+	+	
. 149	« » -	. (846) 979-9-979	+	+	+	+	+	
. 197	" XXI"	. 8(812) 600-11-97	+	+	+	+		
. 41,	" -	. 8(812) 325-36-56, . 8(812) 325-36-57	+		+	+		
. 11,36	" -95"	. 8(812) 822-18-00, . 8(812) 320-06-61	+					
. 1	" - "	. 8(8342) 23-05-91, . 8(8342) 47-48-59	+	+	+			

.95	" " -	.8(8452) 52-81-21, .8(8452) 52-83-84	+	+	+	+	+
.253	" "	.8(496) 547-04-95, .8(496) 549-32-79	+	+		+	+
.47	" -S"	.8-963-624-49-46			+	+	+
.44	« »	.8 (4812) 45-05-13, .8-920-333-09-44	+	+	+	+	+
.90	" "	.8 (8622)55-51-19, .8 (8622) 55-01-08	+			+	+
.63	" "	.8(8652) 24-30-14, .8(8652) 23-31-81	+	+	+	+	+
.21 .15	" "	.8(8652)95-53-68, .8(8652)95-61-90		+			
.3/4	" "	.8(8652) 44-88-66		+			
.1	" " -	.8 (4725) 24-62-27, .8 (4725) 24-73-49	+	+	+		
.158	" - "	.8(3473) 20-12-13, .8(3473) 20-27-70	+		+	+	+
.25	" "	.8(8212) 22-95-29, .8(8212) 29-12-20	+	+	+	+	+
.137	" -2000"	.8(4752) 56-19-42, .8(4752) 56-19-44	+	+	+	+	+
.18	" "	.8(4822) 47-65-65, .8(4822) 47-58-58	+	+	+	+	+
.24/2		.8(86130) 4-86-59, .8-918-147-02-03	+	+		+	+
.2/2	" - "	.8(86196) 7-20-53	+	+	+	+	+
.48	" +"	.8(8482) 22-72-41, .8(8482) 22-71-85, .8(8482) 61-65-64	+	+	+	+	+
.115	" "	.8-910-949-68-44, .8-953-182-61-82	+	+	+	+	+

.169/5	" "	.8(3452)75-95-08, .8(3452)20-82-65	+		+	+	
.24	" "	.8-9292-69-56-60, .60-56-60-	+	+	+	+	+
.55	" "	.8(3452) 47-35-69	+		+	+	+
.28	" "	.8(3012) 21-89-63	+		+	+	+
.16/7	« »	.8(8422)73-44-22, .8(8422) 73-29-19	+	+		+	+
.6/1	" " -	.8(347) 236-57-07	+		+		
.59	" - "	. (347) 2281701	+		+	+	+
.153 .7 .42	" »	.8(347) 279-90-70 .8(347) 241-62-02					+
.70	-ise	.8-928-048-93-10	+	+	+	+	+
.15	" "	.8(86391) 2-18-06	+		+		
.36	" "	.8(8352) 62-30-97, .8(4942) 63-20-98	+		+		
.8		.8(351) 239-39-34, .8(351) 239-39-35	+	+	+	+	+
.57 .3	" "	.8(351) 225-13-13, .8(351) 236-12-40	+		+	+	+
.340" "	" - "	.8(8782) 27-30-60, .8(8782) 27-70-77	+	+	+	+	+
.48, .11	" " "	.8(8782)25-04-66, .8(8782)25-19-15	+	+	+	+	+
.13	" " -	.8(8782) 23-91-26, .8-928-385-22-42	+	+	+	+	+

33	" "	. 8 (3022) 36-39-36, . 8 (3022) 36-39-32	+	+	+	+	+
1		. 8-904-345-83-18	+	+	+	+	+
3-21	" "	. 8 (84722) 9-52-07, . 8-937-469-52-07	+	+	+	+	+
57	" - "	. 8(8453) 55-80-89, . 8-964-848-45-06	+		+	+	+
12	" - "	. 8 (4852) 25-94-83	+		+		

UA

- 2.
- «Saturn Home Appliances»
- 1.
- 2.
- 3.
- 4.
- 5.
- 6.
- 7.
- 8.
- 9.
- 10.
- 11.

« Saturn Home Appliances» .

: <http://saturn.ua>,
0-800 502-502

1-	(0522)-272840, (0522)-277667	(-)	+	+	+	+	+	+	+
13	. 097-7766770, . 097-2642167		+	+	+	+	+	+	+
10	(06272)-26223, (06272)-22186, . 050-27968-16	()	+	+	+	-	-	-	-
2-	(04142)-50504	" "	-	+	+	+	+	+	+
7	. 050-5260668	-	+	+	+	+	+	+	+
3	(06264)-59389		+	+	+	+	-	+	-
20	. 050-97320-14	-	+	+	+	+	+	-	+
8	(0626)-412134, . 067-2557990		+	+	+	+	+	+	+
5-	(05366)-39192		+	+	+	+	+	+	+
44,	(056)-40133-56, (056)-40400-80, (056)-4746103	" " -	+	+	+	-	+	+	-
2	(056)-4400764	" "	+	+	+	+	+	-	+
73	(056)-4400779		+	+	+	+	+	-	+
64/7	(056)-4092302, (056)-4092303	()	+	+	+	+	+	+	+
9	050-2149173, . 066-017-02-03		+	+	+	+	+	+	+
81	(0642)-330242, (0642)-331186, . 095-3868985	" "	+	+	+	+	+	+	+
96-	(0642)-505783, . 095-3624248		+	+	+	+	+	+	+
49-	. 066-0640564, . 050-5809230	-	-	-	-	+	-	-	-
61									

1	(06434)-26025, . 099-2710147	- -	+	+	+	+	+	+	+
1	(0332)-290752	" - "	+	+	+	-	-	-	+
15-	(0332)779955, . 0970482596	-	+	+	+	+	+	+	+
15-	(032)-24453-40, (032)-2445344		+	+	+	+	+	+	+
2	(032)-2471499		+	+	+	-	-	+	+
28	(032)-2395152, (032)-2395577, (032)-2955028, (032)-2955029	" "	+	+	+	+	+	+	+
116	(032)-2458052	" - "	+	+	+	-	-	+	+
242	(0623)-225550, . 066-1032288, . 097-7768120		+	+	+	-	-	-	-
50- 32\18	(0629)-496005, (0629)-493006		+	+	+	+	+	-	+
227	(0629)-473000, . 098-3122628, . 095-0282628	" - " ()	+	+	+	+	+	-	+
84	(0629)-491881, . 067-5975615		+	+	+	+	+	-	+
42	(0619)-444400	(-)	-	+	+	+	+	+	+
51-	(04337)-64847, (0432)-468213	-	+	+	+	+	+	+	+
46	(03131)-37337, (03131)-37336, . 099-7974430, . 097-3423551		+	+	+	-	+	+	-
33	(0512)-470496, (0512)-478348	" "	+	+	+	+	+	+	+

, 2	(0512)-580647		+	+	+	+	+	+	-
, 49	(0512)-582180, .067-5170570, .066-7056444	" "	-	+	+	+	+	+	-
2 97,	(05662)-41503, .099-0743553	" - ()	+	+	+	+	+	+	+
, 189	(0566)-688563, .0505800296		+	+	+	+	+	+	+
, 25	(0566)-687014		-	+	+	+	+	+	+
, 38	.095-7247266	-	+	+	+	+	+	+	-
, 38	(04141)-52010	" "	+	+	+	+	+	-	+
, 90	(048)-7001737 (048)-7874579		+	+	+	+	+	+	+
, 55	(0482)-390618, .094-8390619		+	+	+	+	+	-	+
, 27	(048)-7229779 (048)-7712538, (048)-7227066	-	+	+	+	+	+	+	+
2 (66)	(048)-7317703, (048)-7317704		+	+	+	-	-	-	+
172-	(05632)-61554, (05632)-62342		+	+	+	+	+	-	+
75	.096-2840836, .066-0857539	-	+	+	+	+	+	+	+
, 29	(0532)-694262, .099-601424		+	+	+	+	+	+	+
, 120	(0532)-509889, .050-0137217		+	+	+	+	+	-	+
, 66	(0532)-615621	-	+	+	+	+	+	+	+
, 64	.099-4243675		+	+	+	+	+	+	+

, 101/1	(04637)-38595, .095-8862199, .063-5974127, .067-2725751		-	+	+	+	+	+	+
, 12	(0362)-266585	-	+	+	+	+	+	-	+
, 55	(0362)-436452, (0362)-635489, 067-23856-35	-	+	+	+	+	+	+	+
, 12	.097-7804458		+	+	+	+	+	-	+
, 5	(0362) 43-33-40, .067-3604242		+	+	+	+	+	+	+
, 1	(06434)-26025, .099-2710147	- -	+	+	+	+	+	+	+
, 24	(06452)-50533, .050-6037272	-	+	+	+	+	+	+	+
, 32	(04733)-46182	-	+	+	+	+	+	+	+
, 1	(06444)-40289, .066-1053966	-	+	+	+	+	+	-	+
, 171-	(03245)-58381	-	+	+	+	-	-	-	-
, 19	.096-3400696		+	+	+	+	+	+	+
, 2	.067-3576378, .050-5124887	" "	+	+	+	+	+	+	+
1/24	(04744)-46614, (04744)-46134	" -	+	+	+	-	-	-	-
3/2	(0312)-654266, .099-5575307		+	+	+	+	+	+	+
, 3	(057)-7349724, (057)-7125181	" "	+	+	+	+	-	+	-
, 12	(057)-71713 39, (057)-7021620		+	+	+	+	+	+	+
, 18 (42)	.096-5953-746	" "	+	+	+	-	-	+	+
, 25	(057)-7513432, (057)-7643383, .067-5757009		-	-	-	+	+	-	-
, 35	(0552)-420235		-	-	-	+	-	-	-

28-	(0552)-434040, .050-4946043		+	+	+	+	+	+	+
, 23	(0552)-296042		+	+	+	+	+	+	+
, 7	(0382)-664501, .0630750889	-	+	+	+	-	-	+	+
, 2	(0382)-704700, (0382)-704707, (03822)-664616	-	+	+	+	+	+	-	-
, 18	(0382)-783773, (0382)-783755		+	+	+	+	+	+	+
102 146,	(0472)-563478, (0472)-500354, (0472)-564216, .096-5056363	" "	+	+	+	+	+	+	+
, 71	(0472)-314657, (0472)-565621	" -"	+	+	+	-	-	-	+
. 77- 1	(0462)-601585	" "	+	+	+	+	+	-	-
, 265-	(0372)-584301, (0372)-584249	" "	+	+	+	+	+	-	+
, 101	(0372)-571204, .066-6604161		+	+	+	+	+	+	+
, 105	(0372)-554869, .050-4345529		+	+	+	-	+	+	+
, 3	(03840)-40017, .067-3601632		+	+	+	+	+	+	+

WARRANTY COUPON

GB

When purchasing the product,
please require its checking before you;

BE SURE

that the goods sold to you, are functional and complete
and that the warranty coupon is filled in correctly.

This warranty coupon confirms the absence of any defects in the product you purchased and provides for free of charge repair of the product failed through the fault of the manufacturer throughout the period of warranty service and free of charge repair.

Failing the presentation of this coupon, in case of its improper filling in, infringement of factory seals (if any), and also in cases indicated in the warranty obligations, the claims are not accepted, and no warranty service and free of charge repair is made!

The warranty coupon is valid only in the original copy with the stamp of trading organization, signature of the seller, date of sale and signature of the buyer.

Complex home appliances should be installed by supplier's authorized service centers, authorized specialists. In the case of a malfunction of the home appliance because of incorrect installation, the buyer must pay the cost of the visit (call) of the specialist, as well as the cost of fault diagnostics if necessary.

CZ

ZÁRUČNÍ LIST

Při koupi výrobku

žádejte o jeho vyzkoušení ve Vaší přítomnosti,

PĚŠ DĚSE

že Vám prodaný výrobek je dobře fungující a kompletní
a že záruční list je vyplněn správně.

Tento záruční list potvrzuje, že na Vámi koupeném výrobku nejsou žádné vady a zajišťuje
bezplatnou opravu nefungujícího přístroje z viny výrobce, během celé záruční doby.

Bez předložení tohoto listu, při jeho nesprávném vyplnění, porušení plomb výrobce (jsou-li na výrobku) a také v případech, které jsou uvedené v záručním listě, nároky se nepřijímají a záruční oprava se neprovádí!

Záruční list je platný jenom jako originál s razítkem obchodní organizace, podpisem prodávajícího, termínem prodeje a podpisem zákazníka.

Instalace komplexní spotřebiče musí být provedena autorizovaným servisním střediskem, specialistou. V případě poruchy v důsledku nesprávné instalace výrobku, kupující je povinen uhradit náklady na výjezd (volání) odborný, pokud je to nezbytné, a náklady na diagnostiku poruch.

RU

Saturn®

WARRANTY COUPON

ZÁRUČNÍ LIST

SATURN HOME APPLIANCES S.R.O. KONVOVA 141, 13083
PRAHA 3 – ŽIŽKOV, ČESKÁ REPUBLIKA, TEL: + 4202/ 67 108 392

Model/



Serial number/Sériové číslo/

/



Date of sell/Termín prodeje/

/



Shop stamp/Razítko obchodu/

/



Seller's signature/Podpis prodávatele/

/



Buyer's Signature confirming the acquaintance and consent with terms of free of charge maintenance service of the product, and absence of the complaints on appearance and color of the product. Podpis zákazníka, potvrzující seznámení a souhlas s podmínkami bezplatného záručního servisu výrobku, a také neexistence nároků na vzhled a barvu výrobku.



UA

